

ADESUN
www. adesun.com

亚德逊蝶阀系列

ADESUN Butterfly Valve





1、目录	Contents	1
2、选型表	Ordering NO.	2
3、设计特性	Design Feature	3
4、DN40-DN600材料	DN40-DN600 Material	4
5、DN650-DN1200材料	DN650-DN1200 Material	5
6、对夹式尺寸	WAFER type size	6
7、LT型尺寸	LT type size	7
8、法兰式尺寸	FLANGE type size	8
9、手柄、涡轮式尺寸	Handle & Turbine size	9
10、气动蝶阀尺寸	Pneumatic Butterfly valve size	10
11、KV值、扭矩表	KV value & torque	11
12、材料特性推荐表	Valve Material Selection Guide	12
13、配套法兰尺寸	Corresponding Flange	13
14、安装方法	Installation	14

Art. 2**系列蝶阀选型表



Art. 2** series butterfly valves ordering NO.

220	D	G	E	050	W	-	HHBY
系列号	驱动形式: H-手动手柄 D-气动双动 S-气动单动 E-电动开关型 M-电动调节型 3D-二段式气动双动 3S-二段式气动单动	阀体材质: A-不锈钢316 B-不锈钢304 C-碳钢WCB G-铸铁GG25 P-UPVC 2P-PP	阀座材质: E-EPDM V-VITON P-PTFE N-NBR M-耐磨EPDM	口径: 025-DN25 032-DN32 040-DN40 050-DN50 065-DN65 080-DN80 100-DN100 125-DN125	连接形式: W-对夹式 L-吊耳式 F-法兰式		特别代码
<p>备注: 1、当阀体材质为UPVC时, 阀座只能选EPDM. 连接形式为对夹式。 2、如有其他要求请详询。</p>							

参数 Parameter

设计标准 Design Standard

阀体设计符合ISO 5752标准。

Valve body is designed to meet ISO 5752.

上法兰标准 Upper Flange Standard

24寸及以下, 阀门安装法兰和阀杆符合ISO5211

24" and below, valve mounting flange and stem shall be ISO5211

28寸及以上, 阀门安装法兰符合ISO5211,其阀杆应为圆键连接。

28" and above, valve mounting flange shall be per ISO5211, stem shall be round keyed.

法兰标准 Flange Standard:

LB200:GB9113.1、ANSI 150、B16.5、JIS B2211

所有连接器(对夹式)都有定位孔便于安装。

All wafers have locating holes for ease of installation

压力等级 Pressure Rating

完全关闭时可承受压力:

Bi-directional bubble-tight shut off to : 16bar(230psi)---DN40-DN600mm

10bar(150psi)---DN650-DN1000mm

测试最大额定值的110%时可承受压力:

And tested to 110% of full rating : 18bar(260psi)---DN40-DN600mm

11bar(160psi)---DN650-DN1000mm壳体测试 Shell Testing

阀体能承受最大额定值的150% :

The body strength can stand 150% of full rating : 24bar(340psi)---DN40-DN600mm

15bar(220psi)---DN650-DN1000mm

安装说明 Installation Instruction:

该阀门适用于所有平面或凸面法兰的连接, 无需使用法兰垫片。安装时, 法兰之间应有足够的间隙以便阀门插入, 且密封不受影响。转动阀杆调整好蝶板在阀体中的位置, 将阀门放置于法兰间, 并手动拧紧螺栓。逆时针方向缓慢开启阀门, 检查蝶板净距是否足够。将蝶板重新旋转至10%的开度位置, 再拧紧所有螺栓, 检查蝶板净距是否足够。

The valve is designed for using between all types of flat or raised face flange. Do not use flange gaskets. For proper installation, the space between flanges must be sufficient to permit valve insertion without disturbing the rubber liner flange seal. Rotate the stem to position the disc within the body, place the valve between flanges and hand-tighten the bolts. Slowly open the valve counter clockwise to check for adequate disc clearance. Rotate the disc to 10% open position and cross tighten all bolts again check for adequate disc clearance.

阀杆限位装置 Stem Retaining Mechanism

阀门尺寸在DN350mm以下时, 阀杆通过特殊的Q式设计限位于阀体中, 因此可以不用任何特殊工具就可将阀杆从阀体和阀板中拆除。仅在拆除时, 才可将阀板放置135°左右。

The stem is retained the body through a special Q type design when the size is under DN350mm, so the stem can be removed from the body and disc without any special tools. Only when being disassembled, the valve disc can be positioned around 135°.

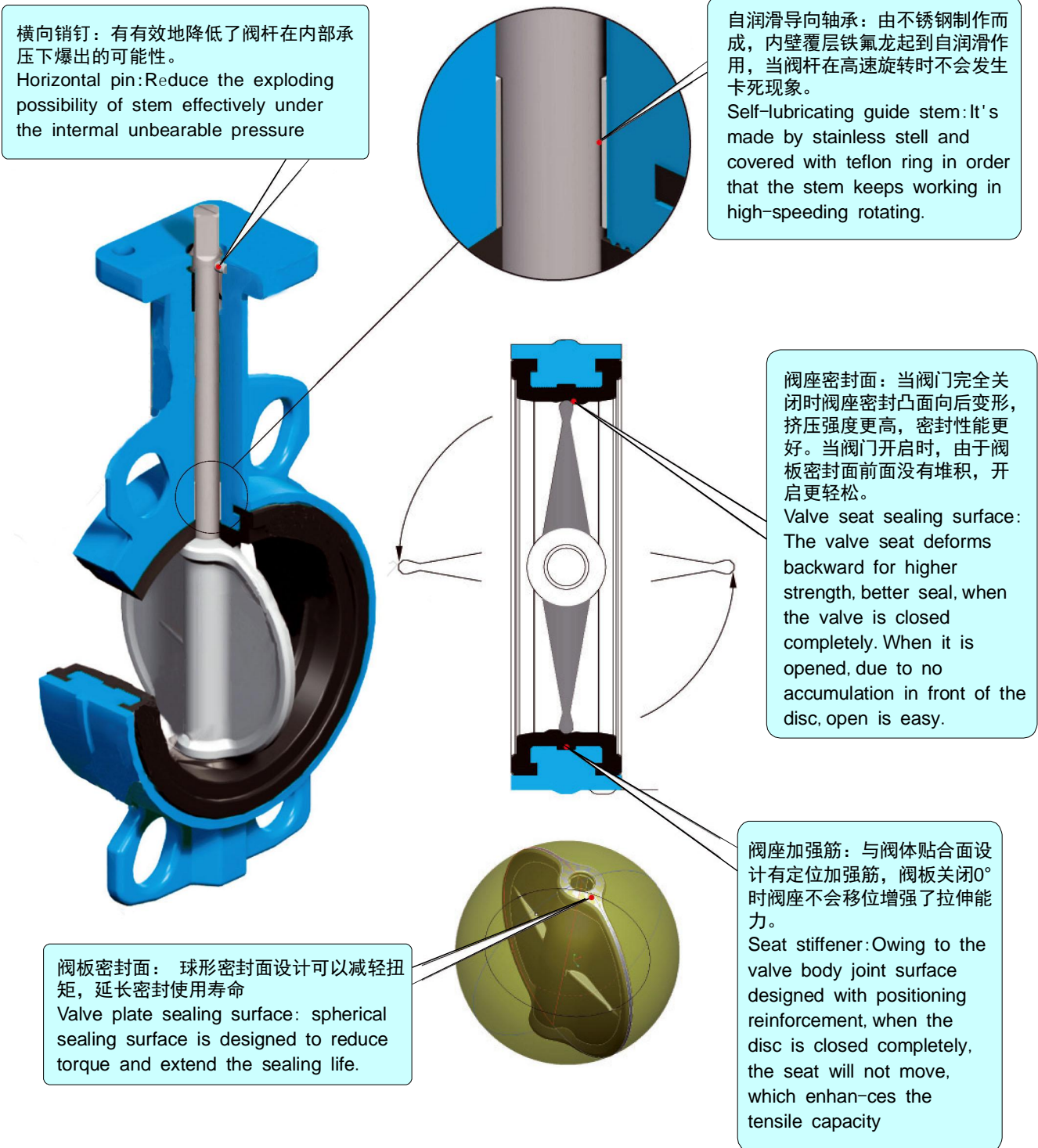
其它 Others

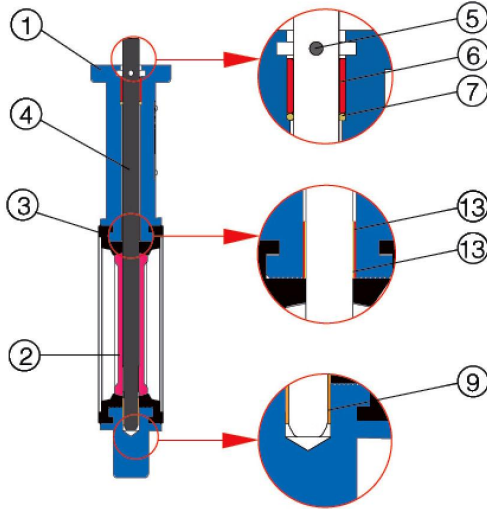
根据客户要求定制 According to customer requirements.

Art. 2**系列蝶阀，外型设计独特，结构紧凑；蝶板采用构架结构，强度高；其具有双向密封功能，安装时不受介质流向的控制；外表整体环氧树脂覆层、能有效地防止锈蚀；通过选择阀座密封材料，可有于不同工况的介质。常用介质为水、油品等多种液态介质。

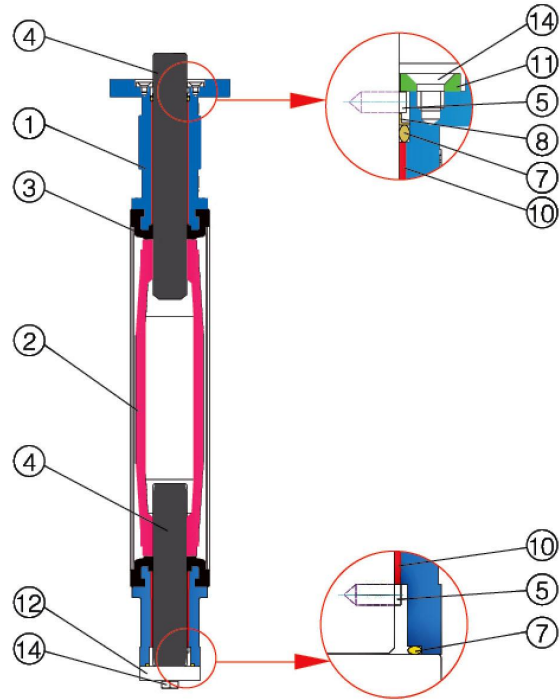
Art. 2**series butterfly valve, has unique shape, compact structure, high-strength disc using frame structure. It has bidirectional sealing function for installation without the interference of the medium flow direction. The surface is coated with epoxy resin, which could prevent rust effectively. A wide choice of seat material can be used in different medium, such as water, oil.

设计特性 Design Feature



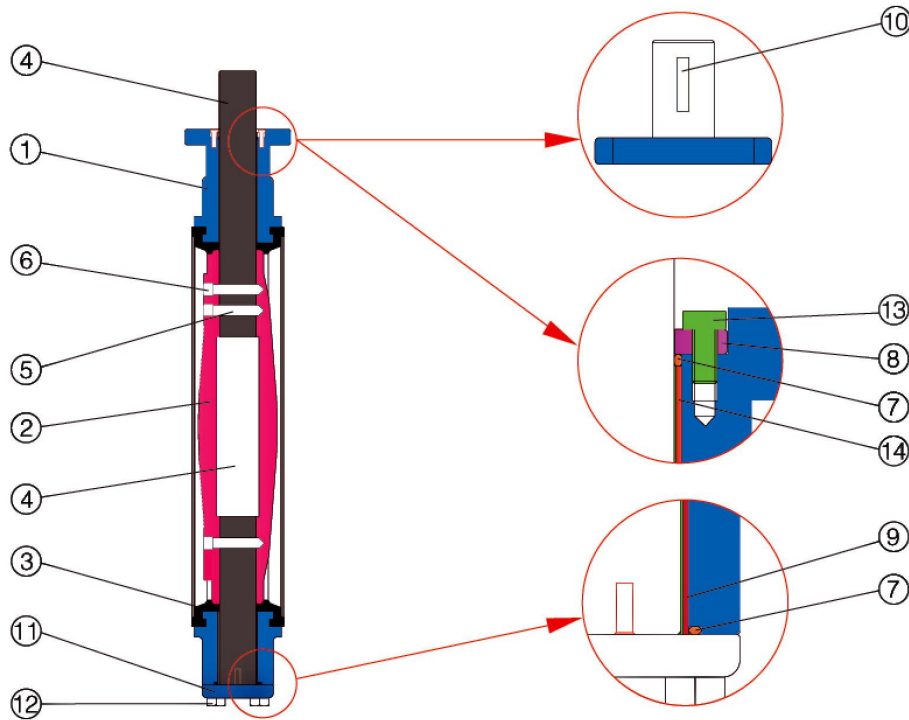


DN40 to 300



DN350 to 600

序号NO.	零件Part	材质 Material	规格 Specification		备注 Remarks
			JIS	ASTM	
1	阀体 Body	铸铁 Cast Iron	FC 200	A16 Cl.B	DN40-600
		球墨铸铁 Ductile Iron	FCD 400	A395	
		不锈钢 Stainless Steel	SCS 13A	A351 GR.CF8	
			SCS 14A	A351 GR.CF8M	
2	阀板 Disc	球墨铸铁 Ductile Iron	FCD 400	A395	Nylon 11 coated
		不锈钢 Stainless Steel	SCS 13A	A351 GR.CF8	
			SCS 14A	A351 GR.CF8M	
		铝青铜 Alu-Nronze	ALBC2	B148 C95400	
3	阀座 Seat	丁腈橡胶 NBR (Nitrile)			-10°C ~ 80°C (14°F ~ 176°F)
		三元乙丙橡胶 EPDM			-20°C ~ 120°C (-4°F ~ 248°F)
		三元乙丙热塑性弹性体 EPT			-20°C ~ 140°C (-4°F ~ 284°F)
		氯丁橡胶 Neoprene(CR)			0°C ~ 80°C (32°F ~ 176°F)
		硅橡胶 Silicon (SI)			-20°C ~ 180°C (-4°F ~ 356°F)
		氯磺化聚乙烯橡胶 Hypalon(CSM)			-20°C ~ 135°C (-4°F ~ 275°F)
		氟橡胶 Viton			-18°C ~ 204°C (-0.4°F ~ 400°F)
4	阀杆 Stem	不锈钢 Stainless Steel	SUS410	A182 Gr.F6A	
			SUS304	A182 Gr.F304	
			SUS316	A182 Gr.F316	
5	销 Pin	不锈钢 Stainless Steel	SUS304	A182 Gr.F304	
6	衬套 Bush	聚甲醛 Delrin			
7	O型环 O-ring	丁腈橡胶 NBR (Nitrile)			
8	止推环 Thrust Ring	不锈钢 Stainless Steel	SUS304	A240 Gr.304	
9	衬套 Bush	青铜 Bronze	BC6	B62	铸铁和球墨铸铁阀体 For cast iron and ductile iron body
10	衬套 Bush	增强聚四氟乙烯+不锈钢 RTFE+Stainless Steel	RTFE+ SUS316	RTFE+ A240 Gr.316	
11	上盖 Upper Cover	铸铁 Cast Iron	FC 200	A126 Cl.B	铸铁和球墨铸铁阀体 For cast iron and ductile iron body
		不锈钢 Stainless Steel	SUS 304	A240 304	不锈钢阀体 For Stainless Steel body
12	低盖 Bottom Cover	铸铁 Cast Iron	FC 200	A126 -B	铸铁和球墨铸铁阀体 For cast iron and ductile iron body
		不锈钢 Stainless Steel	SCS 13A	A351 Gr.CF8	不锈钢阀体 For Stainless Steel body
13	轴承 Bearing	PTFE+316SS			
14	螺栓 Bolt	钢 Steel			

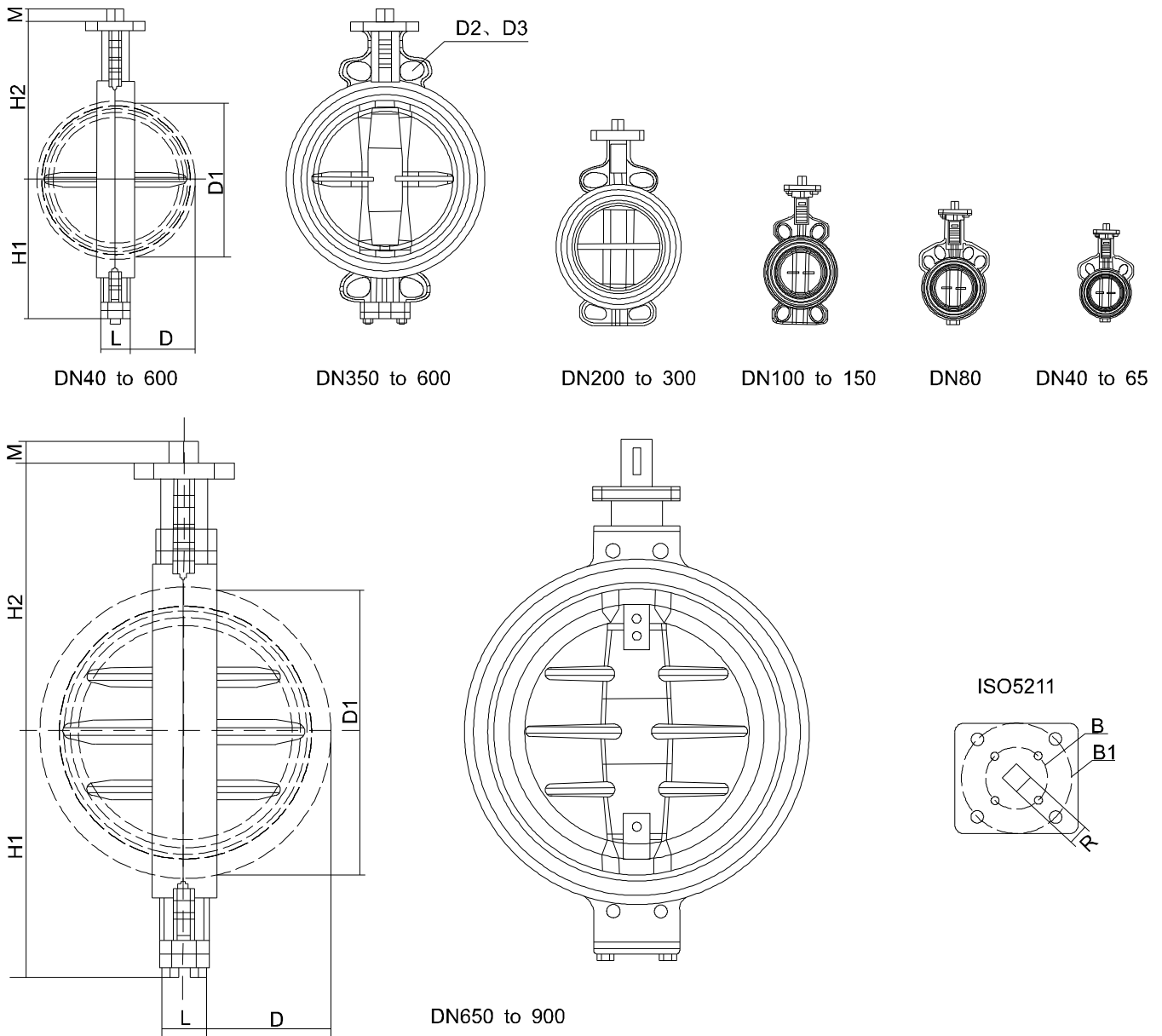


序号NO.	零件Part	材质Material	规格Specification		备注Remarks
			JIS	ASTM	
1	阀体 Body	铸铁 Cast Iron	FC 200	A16 Cl.B	DN650-1200
		球墨铸铁 Ductile Iron	FCD 400	A395	
		不锈钢 Stainless Steel	SCS 13A	A351 GR.CF8	
2	阀板 Disc	球墨铸铁 Ductile Iron	FCD 400	A395	Nylon 11 coated
		不锈钢 Stainless Steel	SCS 13A	A351 GR.CF8	
		SCS 14A	A351 GR.CF8M		
3	阀座 Seat	铝青铜 Alu-Nronze	ALBC2	B148 C95400	
		丁腈橡胶 NBR (Nitrile)			-10°C ~ 80°C (14°F ~ 176°F)
		三元乙丙橡胶 EPDM			-20°C ~ 120°C (-4°F ~ 248°F)
		三元乙丙热塑性弹性体 EPT			-20°C ~ 140°C (-4°F ~ 284°F)
		氯丁橡胶 Neoprene(CR)			0°C ~ 80°C (32°F ~ 176°F)
		硅橡胶 Silicon (SI)			-20°C ~ 180°C (-4°F ~ 356°F)
		氯磺化聚乙烯橡胶 Hypalon(CSM)			-20°C ~ 135°C (-4°F ~ 275°F)
氟橡胶 Viton			-18°C ~ 204°C (-0.4°F ~ 400		
4	阀杆 Stem	不锈钢 Stainless Steel	SUS410	A182 Gr.F6A	
			SUS304	A182 Gr.F304	
			SUS316	A182 Gr.F316	
			SUS316	A182 Gr.F316	
5	销 Pin	不锈钢 Stainless Steel			
6	端头 Plug	不锈钢 Stainless Steel			
7	O型环 O-ring	丁腈橡胶 NBR (Nitrile)			
8	上盖 Upper Cover	钢 Steel	SS400	A36	铸铁和球墨铸铁阀体 For cast iron and ductile iron
		不锈钢 Stainless Steel	SUS304	A240 Gr.304	不锈钢阀体 For Stainless Steel body
9	衬套 Bush	青铜 Bronze	BC6	B62	铸铁和球墨铸铁阀体 For cast iron and ductile iron
		增强四氟乙烯+不锈钢 RTFE+Stainless Steel	RTFE+ SUS316	RTFE+ A240 Gr.316	不锈钢阀体 For Stainless Steel body
10	销键 Key	钢 Steel			
11	低盖 Bottom Cover	铸铁 Cast Iron	FC 200	A126 ClB	铸铁和球墨铸铁阀体 For cast iron and ductile iron
		不锈钢 Stainless Steel	SCS 13A	A351 Gr.CF8	不锈钢阀体 For Stainless Steel body
12	螺栓 Bolt	钢 Steel			
14	螺栓 Bolt	钢 Steel			
13	轴承 Bearing	PTFE+316SS			

Art. 2**系列对夹式尺寸



Art. 2** series WAFER type size



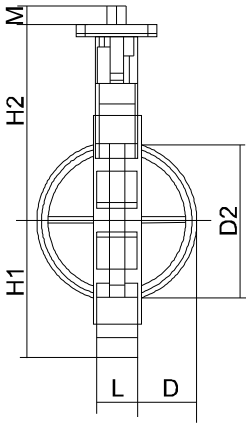
PN10/PN16/ANSI 150LB

Unit : mm

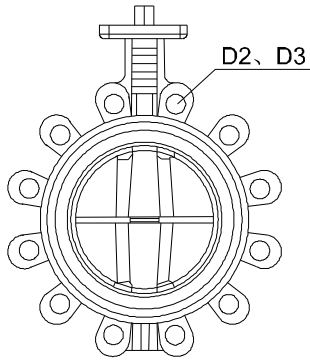
SIZE	L	D	D1	D2	D3	H1	H2	M	R	B	B1	ISO5211	
DN40	1-1/2"	33	7	34	110	98.4	60	120	12.5	11	50	70	F05-F07
DN50	2"	43	8	39	125	120.7	65	143	12.5	11	50	70	F05-F07
DN65	2-1/2"	46	13	55	145	139.7	71	155	15	11	50	70	F05-F07
DN80	3"	46	19	69	160	152.4	77	162	15	11	50	70	F05-F07
DN100	4"	52	27	91	180	190.5	107	181	16	11	-	70	F07
DN125	5"	56	36	115	210	215.9	122	197	19	14	-	70	F07
DN150	6"	56	47	140	240	241.3	150	210	19	14	-	70	F07
DN200	8"	60	68	186	295	298.5	165	240	22	17	-	102	F10
DN250	10"	68	90	239	355	362	201	286	22	19	-	102	F10
DN300	12"	78	111	288	410	431.8	234	309	24	22	-	102	F10
DN350	14"	78	128	325	470	476.3	301	329	29	27	-	125	F12
DN400	16"	102	143	375	525	539.8	333	361	29	27	-	125	F12
DN450	18"	114	162	423	585	577.9	358	393	38	36	-	140	F14
DN500	20"	127	182	473	650	635	392	427	38	36	-	140	F14
DN600	24"	154	214	560	770	749.3	454	492	48	46	-	165	F16
DN700	28"	165	255	655	840	863.6	508	563	110	-	-	165	F16
DN800	32"	190	285	736	950	977.9	592	630	110	-	-	254	F25
DN900	36"	203	331	841	1050	1085.9	632	660	110	-	-	254	F25

备注 D2按照GB9113.1制定 D2 is designed to meet GB9113.1

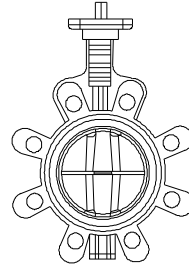
Note D3按照ANSI 150LB B16.5制定 D3 is designed to meet ANSI 150LB B16.5



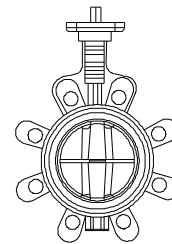
DN50 to 300



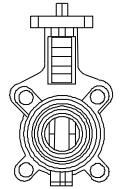
DN200 to 300



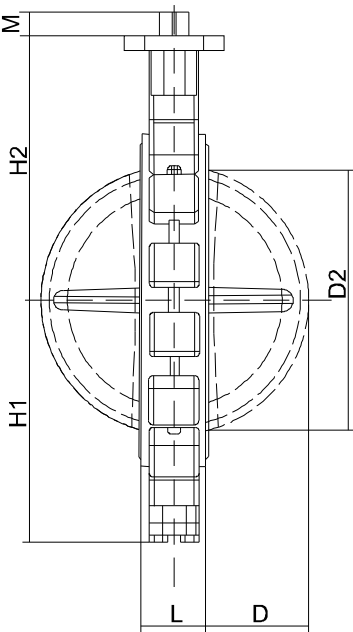
DN100 to 150



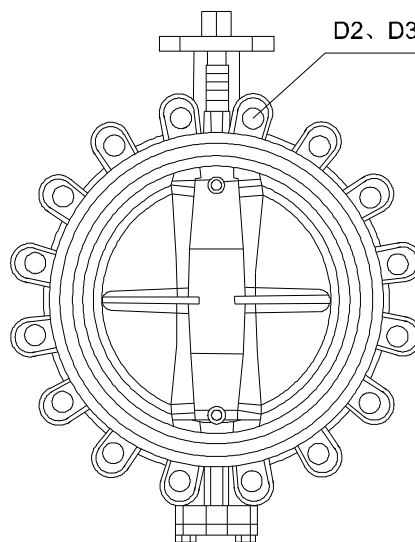
DN80



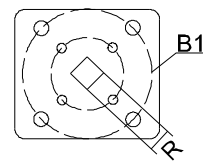
DN50 to 65



DN350 to 600



ISO5211



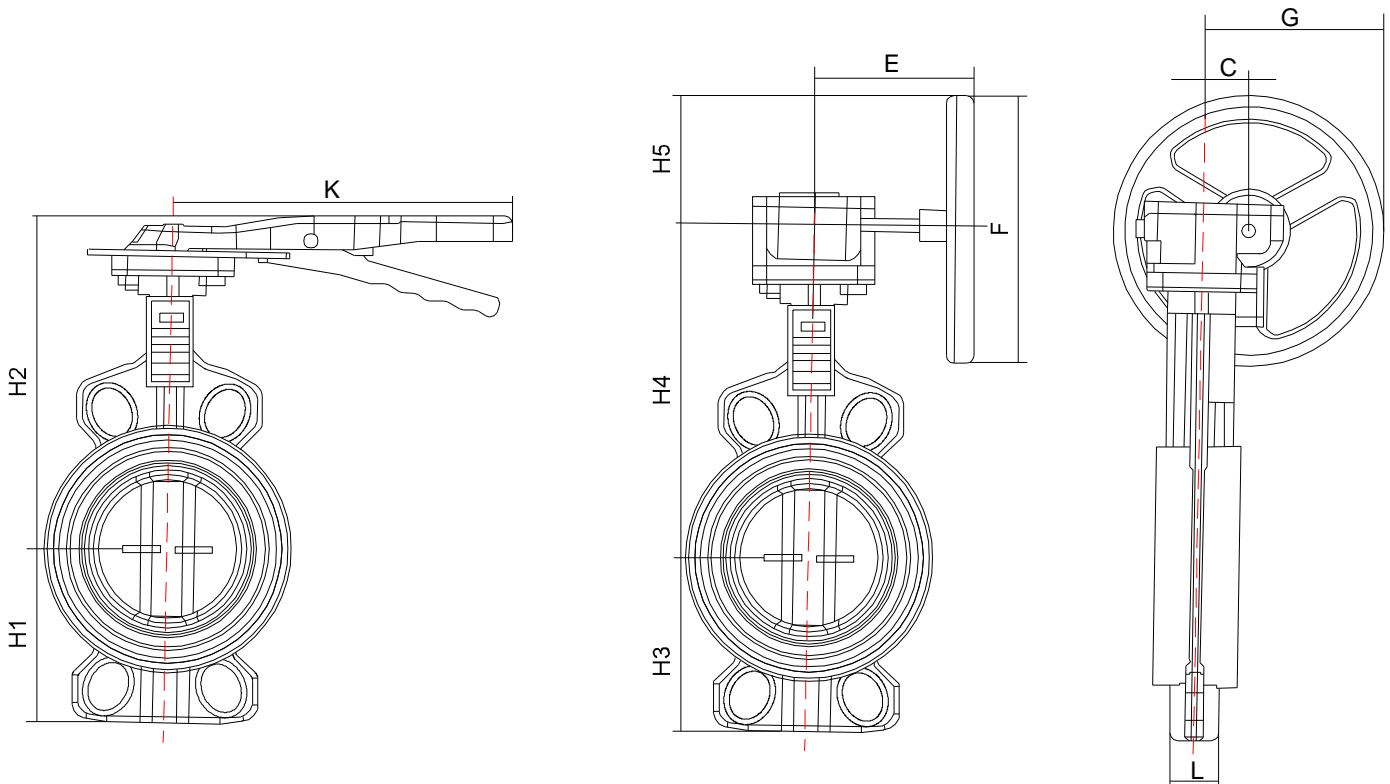
PN10/PN16/ANSI 150LB

Unit : mm

SIZE	L	D	D1	D2	D3	H1	H2	M	R	B1	ISO5211	
DN50	2"	43	8	39	125	120.7	65	143	12.5	11	50	F05
DN65	2-1/2"	46	13	55	145	139.7	71	155	15	11	50	F05
DN80	3"	46	19	69	160	152.4	77	162	15	11	50	F05
DN100	4"	52	27	91	180	190.5	107	181	16	11	70	F07
DN125	5"	56	36	115	210	215.9	122	197	19	14	70	F07
DN150	6"	56	47	140	240	241.3	150	210	19	14	70	F07
DN200	8"	60	68	186	295	298.5	165	240	22	17	102	F10
DN250	10"	68	90	239	355	362	201	286	22	19	102	F10
DN300	12"	78	111	288	410	431.8	234	309	24	22	125	F12
DN350	14"	78	128	325	470	476.3	301	329	29	27	125	F12
DN400	16"	102	143	375	525	539.8	333	361	29	27	140	F14
DN450	18"	114	162	423	585	577.9	358	393	38	36	140	F14
DN500	20"	127	182	473	650	635	392	427	38	36	165	F16
DN600	24"	154	214	560	770	749.3	454	492	48	46	254	F25

备注 D2按照GB9113.1制定 D2 is designed to meet GB9113.1

Note D3按照ANSI 150LB B16.5制定 D3 is designed to meet ANSI 150LB B16.5



Unit : mm

SIZE		L	手柄 Handle			涡轮 Turbine						
			K	H1	H2	H3	H4	H5	E	F	G	C
DN40	1-1/2"	33	210	60	195	60	157	75	155	150	116	41
DN50	2"	43	210	65	218	65	180	75	155	150	116	41
DN65	2-1/2"	46	210	71	230	71	192	75	155	150	116	41
DN80	3"	46	210	77	237	77	199	75	155	150	116	41
DN100	4"	52	210	107	256	107	218	75	155	150	116	41
DN125	5"	56	210	122	272	122	234	75	155	150	116	41
DN150	6"	56	210	150	285	150	247	75	155	150	116	41
DN200	8"	60	-	-	-	165	281	100	195	200	163	63
DN250	10"	68	-	-	-	201	327	100	195	200	163	63
DN300	12"	78	-	-	-	234	350	100	195	200	163	63
DN350	14"	78	-	-	-	301	370	155	255	310	236	81
DN400	16"	102	-	-	-	333	402	155	255	310	236	81
DN450	18"	114	-	-	-	358	445	200	340	400	281	81
DN500	20"	127	-	-	-	392	479	200	340	400	281	81
DN600	24"	154	-	-	-	454	548	200	370	400	323	123
DN700	28"	165	-	-	-	508	619	200	370	400	360	160
DN800	32"	190	-	-	-	592	775	200	370	400	360	160
DN900	36"	203	-	-	-	632	805	200	370	400	360	160
DN950	38"	216	-	-	-	682	874	200	370	400	360	160
DN1000	40"	216	-	-	-	698	945	300	471	600	497	197
DN1050	42"	216	-	-	-	761	1009	300	471	600	497	197
DN1100	44"	216	-	-	-	768.1	1010	300	471	600	497	197
DN1200	48"	254	-	-	-	813.6	1066	300	471	600	497	197

Art. 220系列铸铁气动蝶阀



Art. 220 series cast iron pneumatic Butterfly valve



阀体/Body: 铸铁/Cast iron GG25 (可选/Optional: 碳钢/WCB、10619)
 阀座/Seat: 乙丙橡胶/EPDM (可选/Optional: 丁晴橡胶/NBR)
 阀板/Disc: 不锈钢304/CF8 (可选/Optional: 不锈钢316/CF8M、铸铁镀镍板/Cost iron GG25 nicr coated)

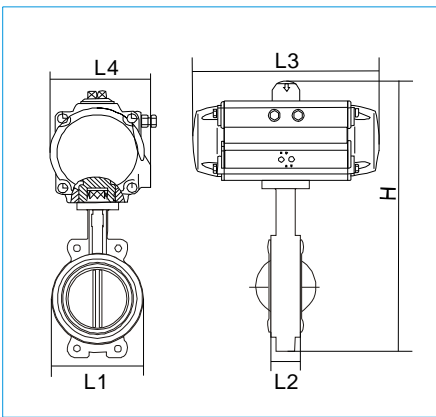
连接/Connection: 对夹式/WAFER type (可选/Optional: 支耳式/Lug type)

配 ADESUN 气动执行器/with ADESUN pneumatic actuator

Art: 220DGE***W - ****

双动/Double acting

型号 CODE	口径										特别代码	双动/Double acting
	220DGE050 W-CDNY	220DGE065 W-CDNY	220DGE080 W-CENY	220DGE100 W-CENY	220DGE125 W-CGNY	220DGE150 W-CINY	220DGE200 W-CJNY	220DGE250 W-CKNY	220DGE300 W-CLNY	220DGE350 W-CMNY		
DN	50	65	80	100	125	150	200	250	300	350	400	更大口径另询 More size on request
PN	16	16	16	16	16	16	16	16	16	16	16	
ACT	ACD063	ACD063	ACD075	ACD075	ACD090	ACD115	ACD125	ACD145	ACD160	ACD190	ACD190	
H (mm)	299	318	365	395	443	502	597	695	780	881	945	
L1 (mm)	92	106	122	150	177	204	260	314	370	422	473	
L2 (mm)	42	45	45	52	55	56	61	66	77	77	102	
L3 (mm)	168	168	219	219	249	315	354	417	452	539	539	
L4 (mm)	83	83	96	96	106	132.5	150	169.5	185	215	215	
参考重量(KG)	3.8	4.1	5.5	7.3	11	17	24	35	50	72	92	
¥												



Art: 220SGE***W - ****

单动/Single acting

型号 CODE	口径										特别代码	单动/Single acting
	220SGE050 W-CGNY	220SGE065 W-CGNY	220SGE080 W-CHNY	220SGE100 W-CINY	220SGE125 W-CJNY	220SGE150 W-CKNY	220SGE200 W-CMNY	220SGE250 W-CNNY	220SGE300 W-CONY	220SGE350 W-CONY		
DN	50	65	80	100	125	150	200	250	300	350	400	更大口径另询 More size on request
PN	16	16	16	16	16	16	16	16	16	16	16	
ACT	ACS090	ACS090	ACS100	ACS115	ACS125	ACS145	ACS190	ACS210	ACS240	ACS240	ACS270	
H (mm)	333	352	392	434	497	553	681	778	885	946	1051	
L1 (mm)	92	106	122	150	177	204	260	314	370	422	473	
L2 (mm)	42	45	45	52	55	56	61	66	77	77	102	
L3 (mm)	249	249	274	315	354	417	539	671	671	671	723	
L4 (mm)	106	106	122	132.5	150	169.5	215	236	261	261	294	
参考重量(KG)	7	7.2	9.3	14.5	21	29	53	82	102	112	328	
¥												

阀体/Body: 铸铁/Cast iron GG25 (可选/Optional: 碳钢/WCB、10619)

阀座/Seat: 乙丙橡胶/EPDM (可选/Optional: 丁晴橡胶/NBR)

阀板/Disc: 不锈钢304/CF8 (可选/Optional: 不锈钢316/CF8M、铸铁镀镍板/Cost iron GG25 nicr coated)

连接/Connection: 对夹式/WAFER type (可选/Optional: 支耳式/Lug type)

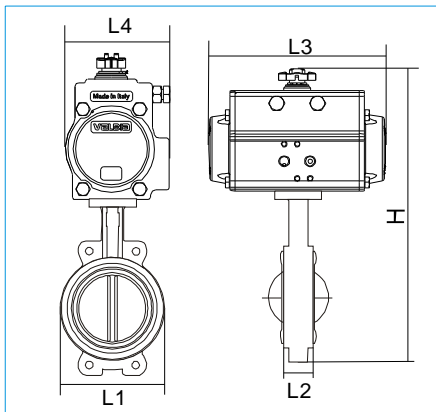
配 VALBIA 气动执行器/with VALBIA pneumatic actuator

Art: 220DGE***W - ****

双动/Double acting



型号 CODE	口径										特别代码	双动/Double acting
	220DGE050 W-VDNY	220DGE065 W-VDNY	220DGE080 W-VENY	220DGE100 W-VENY	220DGE125 W-VFNY	220DGE150 W-VINY	220DGE200 W-VJNY	220DGE250 W-VKNY	220DGE300 W-VLNY	220DGE350 W-VMNY		
DN	50	65	80	100	125	150	200	250	300	350	400	更大口径另询 More size on request
PN	16	16	16	16	16	16	16	16	16	16	16	
ACT	DA63	DA63	DA75	DA75	DA85	DA115	DA125	DA140	DA160	DA180	DA200	
H (mm)	313	332	375	405	455	535	615	711	800	893	982	
L1 (mm)	92	106	122	150	177	204	260	314	370	422	473	
L2 (mm)	42	45	45	52	55	56	61	66	77	77	102	
L3 (mm)	113	113	131	131	145	192.4	204.4	227	251	283	308	
L4 (mm)	71	71	94.5	94.5	106	137	148	164	186	213	217	
参考重量(KG)	4.1	4.4	5.6	7.5	11	18	25	36	51	70	98	
¥												



Art: 220SGE***W - ****

单动/Single acting

型号 CODE	口径										特别代码	单动/Single acting
	220SGE050 W-VFNY	220SGE065 W-VFNY	220SGE080 W-VHNY	220SGE100 W-VINY	220SGE125 W-VKNY	220SGE150 W-VLNY	220SGE200 W-VMNY	220SGE250 W-VONY	220SGE300 W-VPNY	220SGE350 W-VPNY		
DN	50	65	80	100	125	150	200	250	300	350	400	更大口径另询 More size on request
PN	16	16	16	16	16	16	16	16	16	16	16	
ACT	SR85	SR85	SR100	SR115	SR140	SR160	SR180	SR230	SR270	SR270	SR270	
H (mm)	345	364	402	467	537	593	693	839	978	1039	1103	
L1 (mm)	92	106	122	150	177	204	260	314	370	422	473	
L2 (mm)	42	45	45	52	55	56	61	66	77	77	102	
L3 (mm)	240.5	240.5	275	333	435	493	500	690	672	672	672	
L4 (mm)	106	106	123	137	164	186	213	248.5	290	290	290	
参考重量(KG)	6	6.5	8.5	13.5	23.5	32	43	78	112	122	141	
¥												

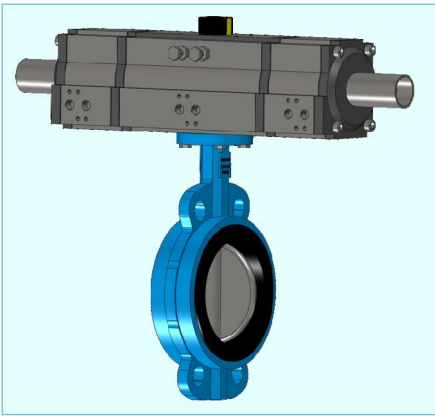
Art. 2203系列两段式气动蝶阀



Art. 2203 series stainless steel pneumatic Butterfly valve

阀体/Body: 铸铁/Cast iron GG25 (可选/Optional: 碳钢/WCB、10619)
 阀座/Seat: 乙丙橡胶/EPDM (可选/Optional: 丁晴橡胶/NBR)
 阀板/Disc: 不锈钢304/CF8 (可选/Optional: 不锈钢316/CF8M、铸铁镀镍板/Cost iron GG25 nicr coated)

连接/Connection: 对夹式/WAFER type (可选/Optional: 支耳式/Lug type)
 配 **ADESUN** 气动执行器/with **ADESUN** pneumatic actuator

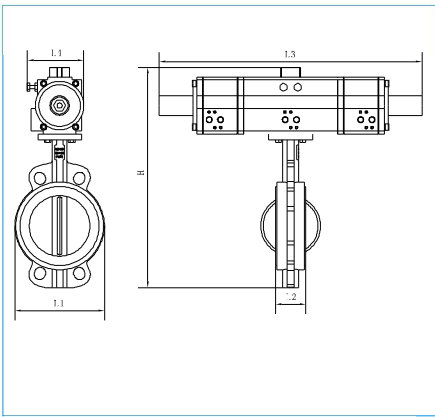


Art: 2203DGE***W - ****

口径 特别代码 双动/Double acting

型号 CODE	2203DGE050W -BDNY	2203DGE065W -BENY	2203DGE080W -BFNY	2203DGE100W -BGNY	2203DGE125W -BHNY	2203DGE150W -BJNY	2203DGE200W -CKNY
DN	50	65	80	100	125	150	200
PN	16	16	16	16	16	16	16
ACT	AB035DA	AB050DA	AB075DA	AB110DA	AB160DA	AB255DA	AB435DA
H (mm)	392	346	368	425	472	535	598
L1 (mm)	96	110	124	148	180	206	259
L2 (mm)	43	46	46	52	56	56	60
L3 (mm)	431	436	469	556	574	634	792
L4 (mm)	83	95	103	109	121	143	152
参考重量(KG)	5.8	6.1	7.5	9.3	13	20	30
¥							

更大口径另询
More size on request



Art: 2203SGE***W - ****

口径 特别代码 单动/Single acting

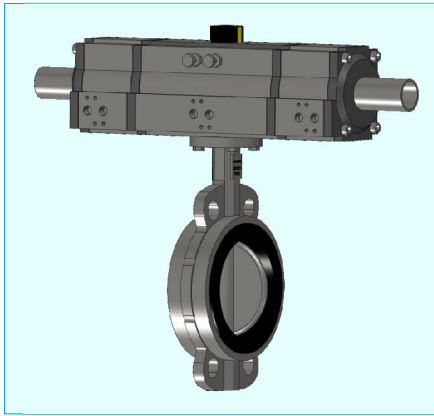
型号 CODE	2203SGE050W -BGNY	2203SGE065W -BENY	2203SGE080W -BHNY	2203SGE100W -BJNY	2203SGE125W -BKNY	2203SGE150W -BLNY	2203SGE200W -BMNY
DN	50	65	80	100	125	150	200
PN	16	16	16	16	16	16	16
ACT	AB110SR	AB110SR	AB160SR	AB255SR	AB435SR	AB665SR	AB1000SR
H (mm)	345	363	392	463	512	578	667
L1 (mm)	96	110	124	148	180	206	259
L2 (mm)	43	46	46	52	56	56	60
L3 (mm)	601	601	616.5	682	874	957	1176
L4 (mm)	109	109	121	143	152	174	206
参考重量(KG)	15	15.8	28	29.3	40	56	76
¥							

更大口径另询
More size on request

不锈钢304/SS304、CF8、1.4308 (可选/Optional: 不锈钢316/SS316、CF8M、1.4408)

阀座/Seat: 乙丙橡胶/EPDM (可选/Optional: 丁晴橡胶/NBR)
 阀板/Disc: 不锈钢304/CF8 (可选/Optional: 不锈钢316/CF8M、铸铁镀镍板/Cost iron GG25 nicr coated)

连接/Connection: 对夹式/WAFER type (可选/Optional: 支耳式/Lug type)
 配 **ADESUN** 气动执行器/with **ADESUN** pneumatic actuator

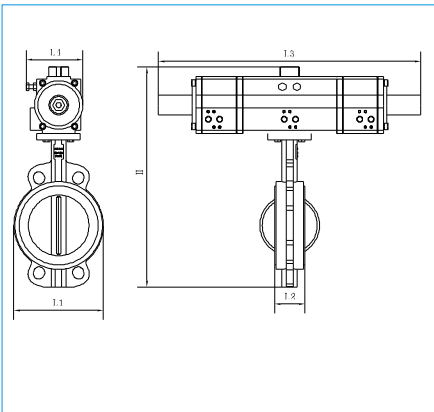


Art: 2203DBE***W - ****

口径 特别代码 双动/Double acting

型号 CODE	2203DBE050W -BDNY	2203DBE065W -BENY	2203DBE080W -BFNY	2203DBE100W -BGNY	2203DBE125W -BHNY	2203DBE150W -BJNY	2203DBE200W -CKNY
DN	50	65	80	100	125	150	200
PN	16	16	16	16	16	16	16
ACT	AB035DA	AB050DA	AB075DA	AB110DA	AB160DA	AB255DA	AB435DA
H (mm)	392	346	368	425	472	535	598
L1 (mm)	96	110	124	148	180	206	259
L2 (mm)	43	46	46	52	56	56	60
L3 (mm)	431	436	469	556	574	634	792
L4 (mm)	83	95	103	109	121	143	152
参考重量(KG)	5.8	6.1	7.5	9.3	13	20	30
¥							

更大口径另询
More size on request



Art: 2203SGE***W - ****

口径 特别代码 单动/Single acting

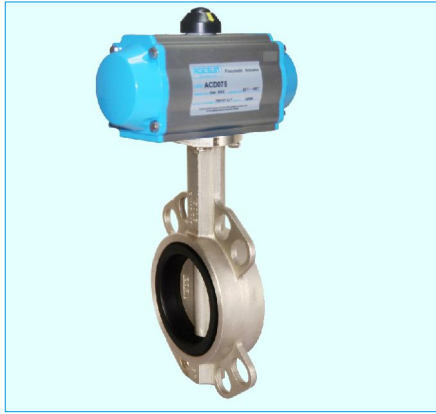
型号 CODE	2203SGE050W -BGNY	2203SGE065W -BENY	2203SGE080W -BHNY	2203SGE100W -BJNY	2203SGE125W -BKNY	2203SGE150W -BLNY	2203SGE200W -BMNY
DN	50	65	80	100	125	150	200
PN	16	16	16	16	16	16	16
ACT	AB110SR	AB110SR	AB160SR	AB255SR	AB435SR	AB665SR	AB1000SR
H (mm)	345	363	392	463	512	578	667
L1 (mm)	96	110	124	148	180	206	259
L2 (mm)	43	46	46	52	56	56	60
L3 (mm)	601	601	616.5	682	874	957	1176
L4 (mm)	109	109	121	143	152	174	206
参考重量(KG)	15	15.8	28	29.3	40	56	76
¥							

更大口径另询
More size on request

Art. 220系列不锈钢气动蝶阀



Art. 220 series stainless steel pneumatic Butterfly valve



阀体/Body: 不锈钢304/SS304, CF8, 1. 4308 (可选/Optional: 不锈钢316/SS316, CF8M, 1. 4408)

阀座/Seat: 乙丙橡胶/EPDM (可选/Optional: 丁晴橡胶/NBR)

阀板/Disc: 不锈钢304/CF8, 1. 4308 (可选/Optional: 不锈钢316/SS316, CF8M, 1. 4408, 铸铁镀镍板/Cost iron GG25 nicr coated)

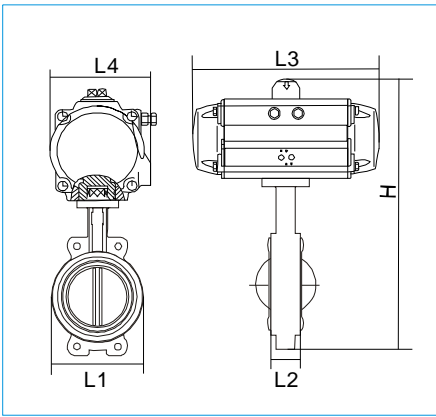
连接/Connection: 对夹式/WAFER type (可选/Optional: 支耳式/Lug type)

配 ADESUN 气动执行器/with ADESUN pneumatic actuator

Art: 220DBE***W — *** 特别代码 双动/Double acting

型号 CODE	220DBE05 0W-CDNY	220DBE06 5W-CDNY	220DBE08 0W-CENY	220DBE10 0W-CENY	220DBE12 5W-CGNY	220DBE15 0W-CJNY	220DBE20 0W-CJNY	220DBE25 0W-CJNY	220DBE30 0W-CLNY	220DBE35 0W-CMNY	220DBE40 0W-CMNY
DN	50	65	80	100	125	150	200	250	300	350	400
PN	16	16	16	16	16	16	16	16	16	16	16
ACT	ACD063	ACD063	ACD075	ACD075	ACD090	ACD115	ACD125	ACD145	ACD160	ACD190	ACD190
H (mm)	299	318	365	395	443	502	597	695	780	881	945
L1 (mm)	92	106	122	150	177	204	260	314	370	422	473
L2 (mm)	42	45	45	52	55	56	61	66	77	77	102
L3 (mm)	168	168	219	219	249	315	354	417	452	539	539
L4 (mm)	83	83	96	96	106	132.5	150	169.5	185	215	215
参考重量(KG)	3.8	4.1	5.5	7.3	11	17	24	35	50	72	92
¥											

更大口径另询
More size on request



Art: 220SBE***W — *** 特别代码 单动/Single acting

型号 CODE	220SBE050 W-CGNY	220SBE065 W-CGNY	220SBE080 W-CHNY	220SBE100 W-CJNY	220SBE125 W-CJNY	220SBE150 W-CJNY	220SBE200 W-CMNY	220SBE250 W-CMNY	220SBE300 W-CMNY	220SBE350 W-CMNY	220SBE400 W-CPNY
DN	50	65	80	100	125	150	200	250	300	350	400
PN	16	16	16	16	16	16	16	16	16	16	16
ACT	ACS090	ACS090	ACS100	ACS115	ACS125	ACS145	ACS190	ACS210	ACS240	ACS240	ACS270
H (mm)	333	352	392	434	497	553	681	778	885	946	1051
L1 (mm)	92	106	122	150	177	204	260	314	370	422	473
L2 (mm)	42	45	45	52	55	56	61	66	77	77	102
L3 (mm)	249	249	274	315	354	417	539	671	671	671	723
L4 (mm)	106	106	122	132.5	150	169.5	215	236	261	261	294
参考重量(KG)	7	7.2	9.3	14.5	21	29	53	82	102	112	328
¥											

更大口径另询
More size on request

阀体/Body: 不锈钢304/SS304, CF8, 1. 4308 (可选/Optional: 不锈钢316/SS316, CF8M, 1. 4408)

阀座/Seat: 乙丙橡胶/EPDM (可选/Optional: 丁晴橡胶/NBR)

阀板/Disc: 不锈钢304/CF8, 1. 4308 (可选/Optional: 不锈钢316/SS316, CF8M, 1. 4408, 铸铁镀镍板/Cost iron GG25 nicr coated)

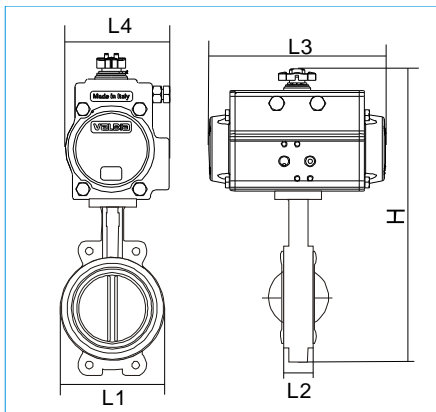
连接/Connection: 对夹式/WAFER type (可选/Optional: 支耳式/Lug type)

配 VALBIA 气动执行器/with VALBIA pneumatic actuator

Art: 220DBE***W — *** 特别代码 双动/Double acting

型号 CODE	220DBE050 W-VDNY	220DBE065 W-VDNY	220DBE080 W-VENY	220DBE100 W-VENY	220DBE125 W-VFNY	220DBE150 W-VJNY	220DBE200 W-VJNY	220DBE250 W-VJNY	220DBE300 W-VLNY	220DBE350 W-VJNY	220DBE400 W-VJNY
DN	50	65	80	100	125	150	200	250	300	350	400
PN	16	16	16	16	16	16	16	16	16	16	16
ACT	DA63	DA63	DA75	DA75	DA85	DA115	DA125	DA140	DA160	DA180	DA200
H (mm)	313	332	375	405	455	535	615	711	800	893	982
L1 (mm)	92	106	122	150	177	204	260	314	370	422	473
L2 (mm)	42	45	45	52	55	56	61	66	77	77	102
L3 (mm)	113	113	131	131	145	192.4	204.4	227	251	283	308
L4 (mm)	71	71	94.5	94.5	106	137	148	164	186	213	217
参考重量(KG)	4.1	4.4	5.6	7.5	11	18	25	36	51	70	98
¥											

更大口径另询
More size on request

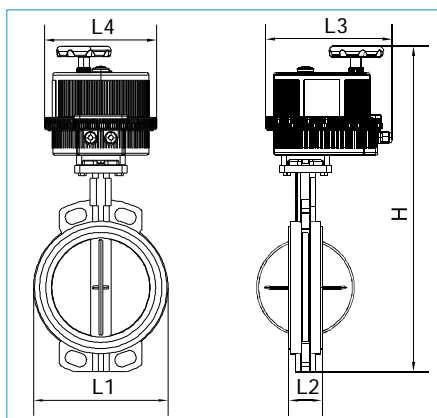


Art: 220SBE***W — *** 特别代码 单动/Single acting

型号 CODE	220SBE050 W-VFNY	220SBE065 W-VFNY	220SBE080 W-VHNY	220SBE100 W-VJNY	220SBE125 W-VJNY	220SBE150 W-VJNY	220SBE200 W-VJNY	220SBE250 W-VJNY	220SBE300 W-VJNY	220SBE350 W-VJNY	220SBE400 W-VJNY
DN	50	65	80	100	125	150	200	250	300	350	400
PN	16	16	16	16	16	16	16	16	16	16	16
ACT	SR85	SR85	SR100	SR115	SR140	SR160	SR180	SR230	SR270	SR270	SR270
H (mm)	345	364	402	467	537	593	693	839	978	1039	1103
L1 (mm)	92	106	122	150	177	204	260	314	370	422	473
L2 (mm)	42	45	45	52	55	56	61	66	77	77	102
L3 (mm)	145	145	157.8	192.4	227	251	283	355	429	429	429
L4 (mm)	106	106	123	137	164	186	213	248.5	290	290	290
参考重量(KG)	6	6.5	8.5	13.5	23.5	32	43	78	112	122	141
¥											

更大口径另询
More size on request

阀体/Body: 铸铁/Cast iron GG25 (可选/Optional: 碳钢/WCB、10619)
 阀座/Seat: 乙丙橡胶/EPDM (可选/Optional: 丁晴橡胶/NBR)
 阀板/Disc: 不锈钢304/CF8 (可选/Optional: 不锈钢316/CF8M、铸铁镀镍板/Cost iron GG25 nicr coated)
 连接/Connection: 对夹式/WAFER type (可选/Optional: 支耳式/Lug type)
 电压/Voltage: 100-240VAC、12VAC/DC、24VAC/DC

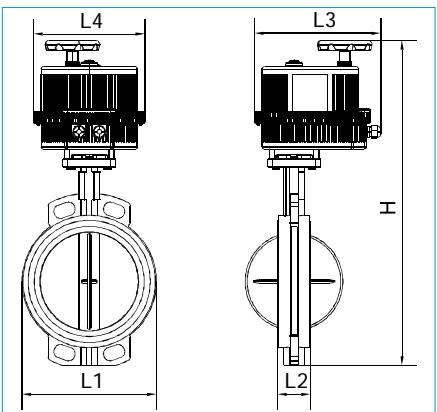


Art: 220EGE***W - ****

型号 CODE	220EGE050W- ****	220EGE065W- ****	220EGE080W- ****	220EGE100W- ****	220EGE125W- ****	220EGE150W- ****	220EGE200W- ****	220EGE250W- ****
DN	50	65	80	100	125	150	200	250
PN	16	16	16	16	16	16	16	16
ACT	VB030	VB030	VB060	VB060	VB110	VB190	VB270	VB350
H (mm)	396	414	454	503	554.1	592.1	638.5	720.5
L1 (mm)	96	110	124	148	180	206	259	320
L2 (mm)	43	46	46	52	56	56	60	68
L3 (mm)	190	190	214	214	237	237	247	247
L4 (mm)	157	157	185	185	211	211	222	222
重量(KG)	6	6.5	8	9	12.5	13.5	20	28
12V AC/DC 开关型/ On Off Model 12V AC/DC								
型号 CODE	220EGE050W- 85L10003	220EGE065W- 85L10003	220EGE080W- 85L10006	220EGE100W- 85L10006	220EGE125W- 85L10011	220EGE150W- 85L10019	220EGE200W- 85L10027	220EGE250W- 85L10035
Y								
24V AC/DC 开关型/ On Off Model 24V AC/DC								
型号 CODE	220EGE050W- 85L00003	220EGE065W- 85L00003	220EGE080W- 85L00006	220EGE100W- 85L00006	220EGE125W- 85L00011	220EGE150W- 85L00019	220EGE200W- 85L00027	220EGE250W- 85L00035
Y								
220V AC 开关型/ On Off Model 220V AC								
型号 CODE	220EGE050W- 85H00003	220EGE065W- 85H00003	220EGE080W- 85H00006	220EGE100W- 85H00006	220EGE125W- 85H00011	220EGE150W- 85H00019	220EGE200W- 85H00027	220EGE250W- 85H00035
Y								

更大口径另询
More size on request

阀体/Body: 铸铁/Cast iron GG25 (可选/Optional: 碳钢/WCB、10619)
 阀座/Seat: 乙丙橡胶/EPDM (可选/Optional: 丁晴橡胶/NBR)
 阀板/Disc: 不锈钢304/CF8 (可选/Optional: 不锈钢316/CF8M、铸铁镀镍板/Cost iron GG25 nicr coated)
 连接/Connection: 对夹式/WAFER type (可选/Optional: 支耳式/Lug type)
 电压/Voltage: 100-240VAC (可选/Optional: 12VAC/DC 24VAC/DC)
 带4-20mA输入/输出信号/with 4-20mA input/output signal
 (可选/Optional: 0-10VDC输入信号/0-10VDC input signal)



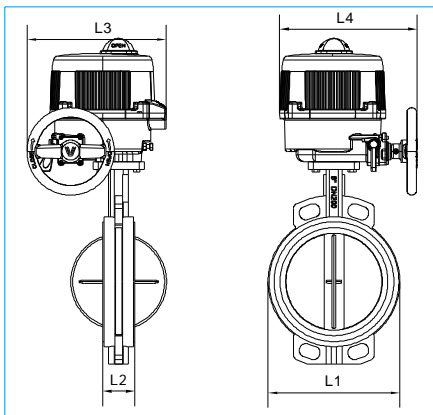
Art: 220MGE***W - ****

型号 CODE	220EGE050W- ****	220EGE065W- ****	220EGE080W- ****	220EGE100W- ****	220EGE125W- ****	220EGE150W- ****	220EGE200W- ****	220EGE250W- ****
DN	50	65	80	100	125	150	200	250
PN	16	16	16	16	16	16	16	16
ACT	VB030	VB030	VB060	VB060	VB110	VB190	VB270	VB350
H (mm)	396	414	454	503	554.1	592.1	638.5	720.5
L1 (mm)	96	110	124	148	180	206	259	320
L2 (mm)	43	46	46	52	56	56	60	68
L3 (mm)	190	190	214	214	237	237	247	247
L4 (mm)	157	157	185	185	211	211	222	222
重量(KG)	6	6.5	8	9	12.5	13.5	20	28
12V AC/DC 调节型/ Modulating Model 12V AC/DC								
型号 CODE	220EGE050W- 85L10603	220EGE065W- 85L10603	220EGE080W- 85L10606	220EGE100W- 85L10606	220EGE125W- 85L10611	220EGE150W- 85L10619	220EGE200W- 85L10627	220EGE250W- 85L10635
Y								
24V AC/DC 调节型/ Modulating Model 24V AC/DC								
型号 CODE	220EGE050W- 85L00603	220EGE065W- 85L00603	220EGE080W- 85L00606	220EGE100W- 85L00606	220EGE125W- 85L00611	220EGE150W- 85L00619	220EGE200W- 85L00627	220EGE250W- 85L00635
Y								
220V AC 调节型/ Modulating Model 220V AC/DC								
型号 CODE	220EGE050W- 85H00603	220EGE065W- 85H00603	220EGE080W- 85H00606	220EGE100W- 85H00606	220EGE125W- 85H00611	220EGE150W- 85H00619	220EGE200W- 85H00627	220EGE250W- 85H00635
Y								

更大口径另询
More size on request

Art. 220 series cast iron electrical butterfly valve

阀体/Body: 铸铁/Cast iron GG25 (可选/Optional: 碳钢/WCB、10619)
 阀座/Seat: 乙丙橡胶/EPDM (可选/Optional: 丁晴橡胶/NBR)
 阀板/Disc: 不锈钢304/CF8 (可选/Optional: 不锈钢316/CF8M、铸铁镀镍板/Cost iron GG25 nicr coated)
 连接/Connection: 对夹式/WAFER type (可选/Optional: 支耳式/Lug type)
 电压/Voltage: 100-240VAC、12VAC/DC、24VAC/DC

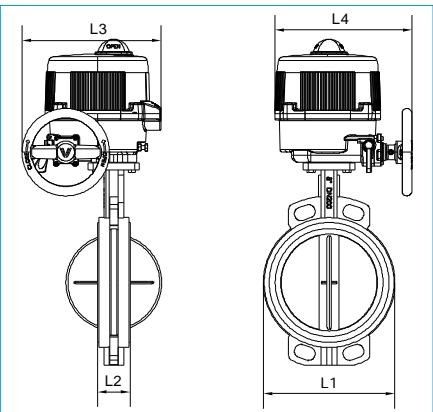


Art: 220EGE***W - ****

型号 CODE	220EGE050W- ****	220EGE065W- ****	220EGE080W- ****	220EGE100W- ****	220EGE125W- ****	220EGE150W- ****	220EGE200W- ****	220EGE250W- ****
DN	50	65	80	100	125	150	200	250
PN	16	16	16	16	16	16	16	16
ACT	VB030	VB030	VB060	VB060	VB110	VB190	VB270	VB350
H (mm)	396	414	454	503	554.1	592.1	638.5	720.5
L1 (mm)	96	110	124	148	180	206	259	320
L2 (mm)	43	46	46	52	56	56	60	68
L3 (mm)	161	161	176	176	266	266	279	279
L4 (mm)	187	187	197	197	270	270	275	275
重量(KG)	6.5	7.2	8.5	10	16	17	23	31.5
12V AC/DC 开关型/ On Off Model 12V AC/DC								
型号 CODE	220EGE050W- 86L10003	220EGE065W- 86L10003	220EGE080W- 86L10006	220EGE100W- 86L10006	220EGE125W- 86L10011	220EGE150W- 86L10019	220EGE200W- 86L10027	220EGE250W- 86L10035
Y								
24V AC/DC 开关型/ On Off Model 24V AC/DC								
型号 CODE	220EGE050W- 86L00003	220EGE065W- 86L00003	220EGE080W- 86L00006	220EGE100W- 86L00006	220EGE125W- 86L00011	220EGE150W- 86L00019	220EGE200W- 86L00027	220EGE250W- 86L00035
Y								
220V AC 开关型/ On Off Model 220V AC								
型号 CODE	220EGE050W- 86H00003	220EGE065W- 86H00003	220EGE080W- 86H00006	220EGE100W- 86H00006	220EGE125W- 86H00011	220EGE150W- 86H00019	220EGE200W- 86H00027	220EGE250W- 86H00035
Y								

更大口径另询
More size on request

阀体/Body: 铸铁/Cast iron GG25 (可选/Optional: 碳钢/WCB、10619)
 阀座/Seat: 乙丙橡胶/EPDM (可选/Optional: 丁晴橡胶/NBR)
 阀板/Disc: 不锈钢304/CF8 (可选/Optional: 不锈钢316/CF8M、铸铁镀镍板/Cost iron GG25 nicr coated)
 连接/Connection: 对夹式/WAFER type (可选/Optional: 支耳式/Lug type)
 电压/Voltage: 100-240VAC (可选/Optional: 12VAC/DC 24VAC/DC)
 带4-20mA输入/输出信号/with 4-20mA input/output signal
 (可选/Optional: 0-10VDC输入信号/0-10VDC input signal)



Art: 220MGE***W - ****

型号 CODE	220EGE050W- ****	220EGE065W- ****	220EGE080W- ****	220EGE100W- ****	220EGE125W- ****	220EGE150W- ****	220EGE200W- ****	220EGE250W- ****
DN	50	65	80	100	125	150	200	250
PN	16	16	16	16	16	16	16	16
ACT	VB030	VB030	VB060	VB060	VB110	VB190	VB270	VB350
H (mm)	396	414	454	503	554.1	592.1	638.5	720.5
L1 (mm)	96	110	124	148	180	206	259	320
L2 (mm)	43	46	46	52	56	56	60	68
L3 (mm)	161	161	176	176	266	266	279	279
L4 (mm)	187	187	197	197	270	270	275	275
重量(KG)	6.5	7.2	8.5	10	16	17	23	31.5
12V AC/DC 调节型/ Modulating Model 12V AC/DC								
型号 CODE	220EGE050W- 86L10603	220EGE065W- 86L10603	220EGE080W- 86L10606	220EGE100W- 86L10606	220EGE125W- 86L10611	220EGE150W- 86L10619	220EGE200W- 86L10627	220EGE250W- 86L10635
Y								
24V AC/DC 调节型/ Modulating Model 24V AC/DC								
型号 CODE	220EGE050W- 86L00603	220EGE065W- 86L00603	220EGE080W- 86L00606	220EGE100W- 86L00606	220EGE125W- 86L00611	220EGE150W- 86L00619	220EGE200W- 86L00627	220EGE250W- 86L00635
Y								
220V AC 调节型/ Modulating Model 220V AC/DC								
型号 CODE	220EGE050W- 86H00603	220EGE065W- 86H00603	220EGE080W- 86H00606	220EGE100W- 86H00606	220EGE125W- 86H00611	220EGE150W- 86H00619	220EGE200W- 86H00627	220EGE250W- 86H00635
Y								

更大口径另询
More size on request

阀体/Body: 铸铁/Cast iron GG25 (可选/Optional: 碳钢/WCB、10619)

阀座/Seat: 乙丙橡胶/EPDM (可选/Optional: 丁晴橡胶/NBR)

阀板/Disc: 不锈钢304/CF8 (可选/Optional: 不锈钢316/CF8M、铸铁镀镍板/Cost iron GG25 nicr coated)

连接/Connection: 对夹式/WAFER type (可选/Optional: 支耳式/Lug type)

电压/Voltage: 380VAC、220VAC、24VDC (可选/Optional: 110VAC)

Art: 220EGE***W - ***

口径

特别代码

开关型/On-off-model

型号 CODE	220EGE050 W-HBAY	220EGE065 W-HBAY	220EGE080 W-HBAY	220EGE100 W-HCAY	220EGE125 W-HCAY	220EGE150 W-HDAY	220EGE200 W-HEAY	220EGE250 W-HFAY	220EGE300 W-HFAY	220EGE350 W-HGAY	220EGE400 W-HHAY
DN	50	65	80	100	125	150	200	250	300	350	400
PN	16	16	16	16	16	16	16	16	16	16	16
ACT	AEA-05	AEA-05	AEA-05	AEA-10	AEA-10	AEA-20	AEA-40	AEA-60	AEA-60	AEA-100	AEA-160
H (mm)	333	352	377	432	468	538	606	680	745	845	909
L1 (mm)	92	106	122	150	177	204	260	314	370	422	473
L2 (mm)	42	45	45	52	55	56	61	66	77	77	102
L3 (mm)	160	160	160	196	196	255	255	255	255	310	310
L4 (mm)	137	137	137	145	145	182	182	182	182	241	241
重量(KG)	4.3	4.5	5	8	10	17	21	29	48	57	76

有源触点 / Active contact

¥											
---	--	--	--	--	--	--	--	--	--	--	--

无源触点 / Dry contact

型号 CODE	220EGE050 W-HBBY	220EGE065 W-HBBY	220EGE080 W-HBBY	220EGE100 W-HCBY	220EGE125 W-HCBY	220EGE150 W-HDBY	220EGE200 W-HEBY	220EGE250 W-HFBY	220EGE300 W-HFBY	220EGE350 W-HGBY	220EGE400 W-HHBY
¥											

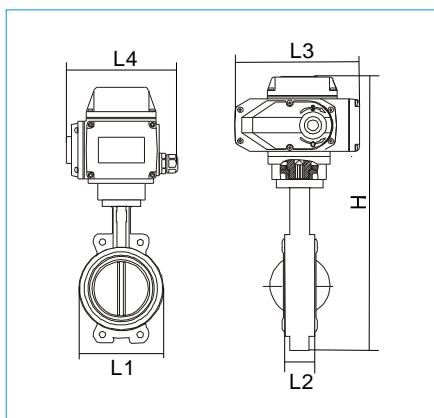
24VDC

型号 CODE	220EGE050 W-HBGY	220EGE065 W-HBGY	220EGE080 W-HBGY	220EGE100 W-HCGY	220EGE125 W-HCGY	220EGE150 W-HDGY	220EGE200 W-HEGY	220EGE250 W-HFGY	220EGE300 W-HFGY	220EGE350 W-HGGY	220EGE400 W-HHGY
¥											

380VAC

型号 CODE	220EGE050 W-HBHY	220EGE065 W-HBHY	220EGE080 W-HBHY	220EGE100 W-HCHY	220EGE125 W-HCHY	220EGE150 W-HDHY	220EGE200 W-HEHY	220EGE250 W-HFHY	220EGE300 W-HFHY	220EGE350 W-HGHY	220EGE400 W-HHHY
¥											

更大口径另询
More size on request



阀体/Body: 铸铁/Cast iron GG25 (可选/Optional: 碳钢/WCB、10619)

阀座/Seat: 乙丙橡胶/EPDM (可选/Optional: 丁晴橡胶/NBR)

阀板/Disc: 不锈钢304/CF8 (可选/Optional: 不锈钢316/CF8M、铸铁镀镍板/Cost iron GG25 nicr coated)

连接/Connection: 对夹式/WAFER type (可选/Optional: 支耳式/Lug type)

电压/Voltage: 220VAC (可选/Optional: 110VAC)

带4-20mA输入/输出信号/with 4-20mA input/output signal

(可选/Optional: 1-5VDC输入信号/1-5VDC input signal)

Art: 220MGE***W - ***

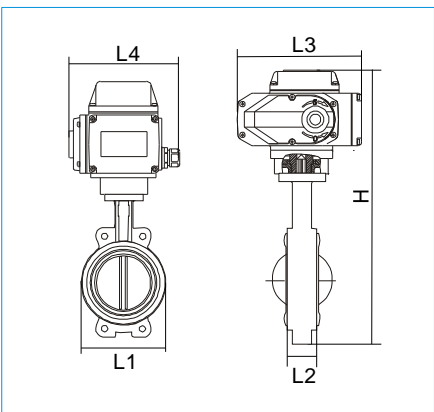
口径

特别代码

调节型/Modulating model

型号 CODE	220MGE050 W-HBEY	220MGE065 W-HBEY	220MGE080 W-HBEY	220MGE100 W-HCEY	220MGE125 W-HCEY	220MGE150 W-HDEY	220MGE200 W-HEEY	220MGE250 W-HFEY	220MGE300 W-HFEY	220MGE350 W-HGEY	220MGE400 W-HHEY
DN	50	65	80	100	125	150	200	250	300	350	400
PN	16	16	16	16	16	16	16	16	16	16	16
ACT	AEA-05E	AEA-05E	AEA-05E	AEA-10E	AEA-10E	AEA-20E	AEA-40E	AEA-60E	AEA-60E	AEA-100E	AEA-160E
H (mm)	333	352	377	432	468	538	606	680	745	845	909
L1 (mm)	92	106	122	150	177	204	260	314	370	422	473
L2 (mm)	42	45	45	52	55	56	61	66	77	77	102
L3 (mm)	160	160	160	196	196	255	255	255	255	310	310
L4 (mm)	137	137	137	145	145	182	182	182	182	241	241
重量(KG)	4.3	4.5	5	8	10	17	21	29	48	57	76
¥											

更大口径另询
More size on request



阀体/Body: 铸铁/Cast iron GG25 (可选/Optional: 碳钢/WCB, 10619)

阀座/Seat: 乙丙橡胶/EPDM (可选/Optional: 丁晴橡胶/NBR)

阀板/Disc: 不锈钢304/CF8 (可选/Optional: 不锈钢316/CF8M、铸铁镀镍板/Cost iron GG25 nicr coated)

连接/Connection: 对夹式/WAFER type (可选/Optional: 支耳式/Lug type)

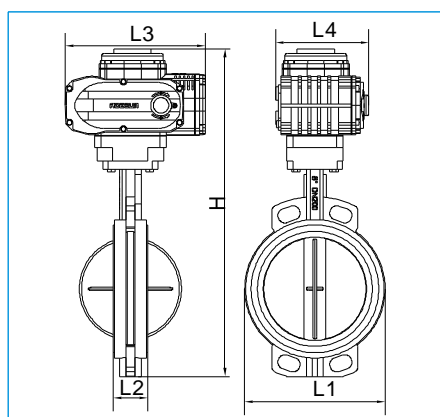
电压/Voltage: 380VAC、220VAC、24VDC (可选/Optional: 110VAC)

Art: 220EGE***W - ****-EX

开关型/On-off-model

型号 CODE	220EGE050W- HBAY-EX	220EGE065W- HBAY-EX	220EGE080W- HBAY-EX	220EGE100W- HCAY-EX	220EGE125W- HCAY-EX	220EGE150W- HDAY-EX	220EGE200W- HEAY-EX	220EGE250W- HFAY-EX	220EGE300W- HFAY-EX
DN	50	65	80	100	125	150	200	250	300
PN	16	16	16	16	16	16	16	16	16
ACT	AEA-EX05	AEA-EX05	AEA-EX05	AEA-EX10	AEA-EX10	AEA-EX20	AEA-EX40	AEA-EX60	AEA-EX60
H (mm)	358	376	389	470	501	542	618	700	756
L1 (mm)	96	110	124	148	180	206	259	320	370
L2 (mm)	43	46	46	52	56	56	60	68	78
L3 (mm)	170.5	170.5	170.5	217.5	217.5	217.5	266.5	266.5	266.5
L4 (mm)	120.5	120.5	120.5	139	139	139	170	170	170
重量(KG)	6	7	7.5	10.5	12.5	14	23	31.5	42.5
有源触点 / Active contact									
¥									
无源触点 / Dry contact									
型号 CODE	220EGE050W- HBBY-EX	220EGE065W- HBBY-EX	220EGE080W- HBBY-EX	220EGE100W- HCBY-EX	220EGE125W- HCBY-EX	220EGE150W- HDBY-EX	220EGE200W- HEBY-EX	220EGE250W- HFBY-EX	220EGE300W- HFBY-EX
¥									
24VDC									
型号 CODE	220EGE050W- HBGY-EX	220EGE065W- HBGY-EX	220EGE080W- HBGY-EX	220EGE100W- HCGY-EX	220EGE125W- HCGY-EX	220EGE150W- HDGY-EX	220EGE200W- HEGY-EX	220EGE250W- HFGY-EX	220EGE300W- HFGY-EX
¥									
380VAC									
型号 CODE	220EGE050W- HBHY-EX	220EGE065W- HBHY-EX	220EGE080W- HBHY-EX	220EGE100W- HCHY-EX	220EGE125W- HCHY-EX	220EGE150W- HDHY-EX	220EGE200W- HEHY-EX	220EGE250W- HFHY-EX	220EGE300W- HFHY-EX
¥									

更大口径另询
More size on request



阀体/Body: 不锈钢304/SS304, CF8, 1. 4308 (可选/Optional: 不锈钢316/SS316、CF8M, 1. 4408)

阀座/Seat: 乙丙橡胶/EPDM (可选/Optional: 丁晴橡胶/NBR)

阀板/Disc: 不锈钢304/CF8, 1. 4308 (可选/Optional: 不锈钢316/SS316、CF8M, 1. 4408、铸铁镀镍板/Cost iron GG25 nicr coated)

连接/Connection: 对夹式/WAFER type (可选/Optional: 支耳式/Lug type)

电压/Voltage: 220VAC (可选/Optional: 110VAC)

带4-20mA输入/输出信号/with 4-20mA input/output signal
(可选/Optional: 1-5VDC输入信号/1-5VDC input signal)

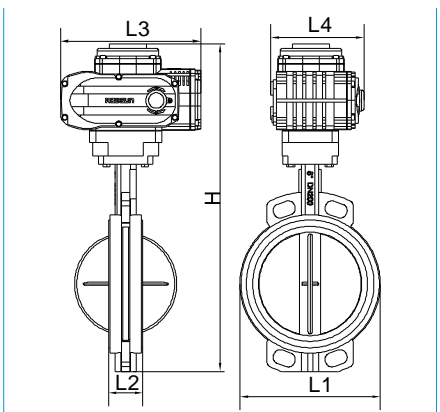
Art: 220MGE***W - ****-EX

口径 特别代码

调节型/Modulating model

型号 CODE	220MGE050W- HBEY-EX	220MGE065W- HBEY-EX	220MGE080W- HBEY-EX	220MGE100W- HCEY-EX	220MGE125W- HCEY-EX	220MGE150W- HDEY-EX	220MGE200W- HEEY-EX	220MGE250W- HFEY-EX	220MGE300W- HFEY-EX
DN	50	65	80	100	125	150	200	250	300
PN	16	16	16	16	16	16	16	16	16
ACT	AEA-EX05E	AEA-EX05E	AEA-EX05E	AEA-EX10E	AEA-EX10E	AEA-EX20E	AEA-EX40E	AEA-EX60E	AEA-EX60E
H (mm)	358	376	389	470	501	542	618	700	756
L1 (mm)	96	110	124	148	180	206	259	320	370
L2 (mm)	43	46	46	52	56	56	60	68	78
L3 (mm)	170.5	170.5	170.5	217.5	217.5	217.5	266.5	266.5	266.5
L4 (mm)	120.5	120.5	120.5	139	139	139	170	170	170
重量(KG)	6	7	7.5	10.5	12.5	14	23	31.5	42.5
¥									

更大口径另询
More size on request



Art. 220 series stainless steel electrical butterfly valve

阀体/Body: 不锈钢304/SS304, CF8, 1. 4308 (可选/Optional: 不锈钢316/SS316, CF8M, 1. 4408)

阀座/Seat: 乙丙橡胶/EPDM (可选/Optional: 丁晴橡胶/NBR)

阀板/Disc: 不锈钢304/CF8, 1. 4308 (可选/Optional: 不锈钢316/SS316, CF8M, 1. 4408, 铸铁镀镍板/Cost iron GG25 nicr coated)

连接/Connection: 对夹式/WAFER type (可选/Optional: 支耳式/Lug type)

电压/Voltage: 100-240VAC, 12VAC/DC, 24VAC/DC

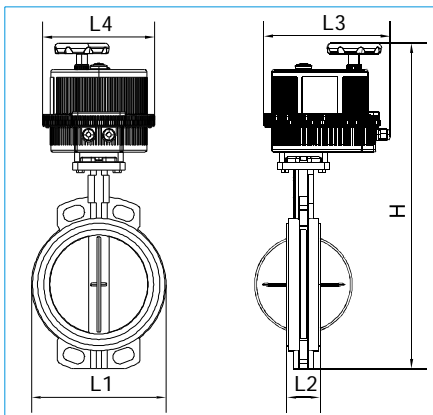
Art: 220EBE***W - ****

口径 特别代码

开关型/On-off-model

型号 CODE	220EBE050W- ***	220EBE065W- ***	220EBE080W- ***	220EBE100W- ***	220EBE125W- ***	220EBE150W- ***	220EBE200W- ***	220EBE250W- ***
DN	50	65	80	100	125	150	200	250
PN	16	16	16	16	16	16	16	16
ACT	VB030	VB030	VB060	VB060	VB110	VB190	VB270	VB350
H (mm)	396	414	454	503	554.1	592.1	638.5	720.5
L1 (mm)	96	110	124	148	180	206	259	320
L2 (mm)	43	46	46	52	56	56	60	68
L3 (mm)	190	190	214	214	237	237	247	247
L4 (mm)	157	157	185	185	211	211	222	222
重量(KG)	6	6.5	8	9	12.5	13.5	20	28
12V AC/DC 开关型/ On Off Model 12V AC/DC								
型号 CODE	220EBE050W- 85L10003	220EBE065W- 85L10003	220EBE080W- 85L10006	220EBE100W- 85L10006	220EBE125W- 85L10011	220EBE150W- 85L10019	220EBE200W- 85L10027	220EBE250W- 85L10035
Y								
24V AC/DC 开关型/ On Off Model 24V AC/DC								
型号 CODE	220EBE050W- 85L00003	220EBE065W- 85L00003	220EBE080W- 85L00006	220EBE100W- 85L00006	220EBE125W- 85L00011	220EBE150W- 85L00019	220EBE200W- 85L00027	220EBE250W- 85L00035
Y								
220V AC 开关型/ On Off Model 220V AC								
型号 CODE	220EBE050W- 85H00003	220EBE065W- 85H00003	220EBE080W- 85H00006	220EBE100W- 85H00006	220EBE125W- 85H00011	220EBE150W- 85H00019	220EBE200W- 85H00027	220EBE250W- 85H00035
Y								

更大口径另询
More size on request



阀体/Body: 不锈钢304/SS304, CF8, 1. 4308 (可选/Optional: 不锈钢316/SS316, CF8M, 1. 4408)

阀座/Seat: 乙丙橡胶/EPDM (可选/Optional: 丁晴橡胶/NBR)

阀板/Disc: 不锈钢304/CF8, 1. 4308 (可选/Optional: 不锈钢316/SS316, CF8M, 1. 4408, 铸铁镀镍板/Cost iron GG25 nicr coated)

连接/Connection: 对夹式/WAFER type (可选/Optional: 支耳式/Lug type)

电压/Voltage: 100-240VAC, 12VAC/DC, 24VAC/DC

带4-20mA输入/输出信号/with 4-20mA input/output signal

(可选/Optional: 0-10VDC输入信号/0-10VDC input signal)

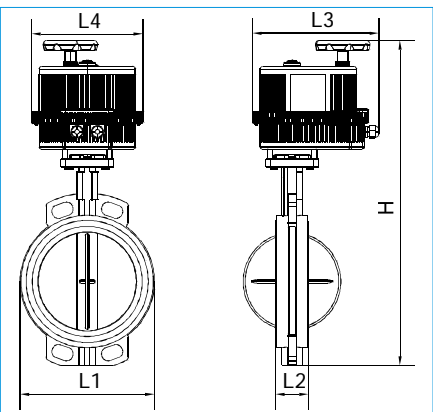
Art: 220MBE***W - ****

口径 特别代码

调节型/Modulating model

型号 CODE	220EBE050W- ***	220EBE065W- ***	220EBE080W- ***	220EBE100W- ***	220EBE125W- ***	220EBE150W- ***	220EBE200W- ***	220EBE250W- ***
DN	50	65	80	100	125	150	200	250
PN	16	16	16	16	16	16	16	16
ACT	VB030	VB030	VB060	VB060	VB110	VB190	VB270	VB350
H (mm)	396	414	454	503	554.1	592.1	638.5	720.5
L1 (mm)	96	110	124	148	180	206	259	320
L2 (mm)	43	46	46	52	56	56	60	68
L3 (mm)	190	190	214	214	237	237	247	247
L4 (mm)	157	157	185	185	211	211	222	222
重量(KG)	6	6.5	8	9	12.5	13.5	20	28
12V AC/DC 调节型/ Modulating Model 12V AC/DC								
型号 CODE	220EBE050W- 85L10603	220EBE065W- 85L10603	220EBE080W- 85L10606	220EBE100W- 85L10606	220EBE125W- 85L10611	220EBE150W- 85L10619	220EBE200W- 85L10627	220EBE250W- 85L10635
Y								
24V AC/DC 调节型/ Modulating Model 24V AC/DC								
型号 CODE	220EBE050W- 85L00603	220EBE065W- 85L00603	220EBE080W- 85L00606	220EBE100W- 85L00606	220EBE125W- 85L00611	220EBE150W- 85L00619	220EBE200W- 85L00627	220EBE250W- 85L00635
Y								
220V AC 调节型/ Modulating Model 220V AC/DC								
型号 CODE	220EBE050W- 85H00603	220EBE065W- 85H00603	220EBE080W- 85H00606	220EBE100W- 85H00606	220EBE125W- 85H00611	220EBE150W- 85H00619	220EBE200W- 85H00627	220EBE250W- 85H00635
Y								

更大口径另询
More size on request



Art. 220 series stainless steel electrical butterfly valve

阀体/Body: 不锈钢304/SS304, CF8, 1. 4308 (可选/Optional: 不锈钢316/SS316, CF8M, 1. 4408)

阀座/Seat: 乙丙橡胶/EPDM (可选/Optional: 丁晴橡胶/NBR)

阀板/Disc: 不锈钢304/CF8, 1. 4308 (可选/Optional: 不锈钢316/SS316, CF8M, 1. 4408, 铸铁镀镍板/Cost iron GG25 nicr coated)

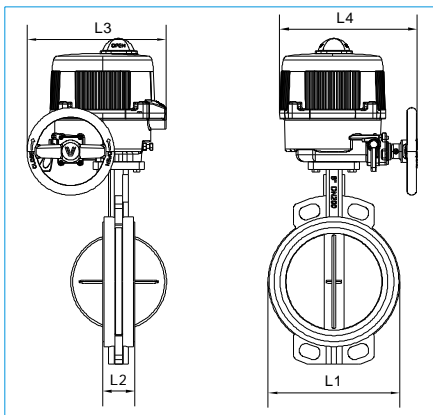
连接/Connection: 对夹式/WAFER type (可选/Optional: 支耳式/Lug type)

电压/Voltage: 100-240VAC, 12VAC/DC, 24VAC/DC

Art: 220EBE***W - ****

口径 特别代码

开关型/On-off-model



型号 CODE	220EBE050W- ***	220EBE065W- ***	220EBE080W- ***	220EBE100W- ***	220EBE125W- ***	220EBE150W- ***	220EBE200W- ***	220EBE250W- ***
DN	50	65	80	100	125	150	200	250
PN	16	16	16	16	16	16	16	16
ACT	VB030	VB030	VB060	VB060	VB110	VB190	VB270	VB350
H (mm)	396	414	454	503	554.1	592.1	638.5	720.5
L1 (mm)	96	110	124	148	180	206	259	320
L2 (mm)	43	46	46	52	56	56	60	68
L3 (mm)	161	161	176	176	266	266	279	279
L4 (mm)	187	187	197	197	270	270	275	275
重量(KG)	6.5	7.2	8.5	10	16	17	23	31.5

12V AC/DC 开关型/ On Off Model 12V AC/DC

型号 CODE	220EBE050W- 86L10003	220EBE065W- 86L10003	220EBE080W- 86L10006	220EBE100W- 86L10006	220EBE125W- 86L10011	220EBE150W- 86L10019	220EBE200W- 86L10027	220EBE250W- 86L10035
Y								

24V AC/DC 开关型/ On Off Model 24V AC/DC

型号 CODE	220EBE050W- 86L00003	220EBE065W- 86L00003	220EBE080W- 86L00006	220EBE100W- 86L00006	220EBE125W- 86L00011	220EBE150W- 86L00019	220EBE200W- 86L00027	220EBE250W- 86L00035
Y								

220V AC 开关型/ On Off Model 220V AC

型号 CODE	220EBE050W- 86H00003	220EBE065W- 86H00003	220EBE080W- 86H00006	220EBE100W- 86H00006	220EBE125W- 86H00011	220EBE150W- 86H00019	220EBE200W- 86H00027	220EBE250W- 86H00035
Y								

更大口径另询
More size on request

阀体/Body: 不锈钢304/SS304, CF8, 1. 4308 (可选/Optional: 不锈钢316/SS316, CF8M, 1. 4408)

阀座/Seat: 乙丙橡胶/EPDM (可选/Optional: 丁晴橡胶/NBR)

阀板/Disc: 不锈钢304/CF8, 1. 4308 (可选/Optional: 不锈钢316/SS316, CF8M, 1. 4408, 铸铁镀镍板/Cost iron GG25 nicr coated)

连接/Connection: 对夹式/WAFER type (可选/Optional: 支耳式/Lug type)

电压/Voltage: 100-240VAC, 12VAC/DC, 24VAC/DC

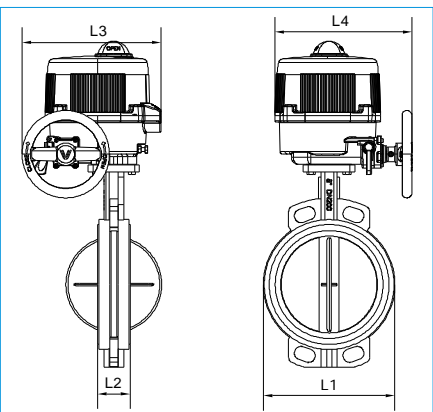
带4-20mA输入/输出信号/with 4-20mA input/output signal

(可选/Optional: 0-10VDC输入信号/0-10VDC input signal)

Art: 220MBE***W - ****

口径 特别代码

调节型/Modulating model



型号 CODE	220EBE050W- ***	220EBE065W- ***	220EBE080W- ***	220EBE100W- ***	220EBE125W- ***	220EBE150W- ***	220EBE200W- ***	220EBE250W- ***
DN	50	65	80	100	125	150	200	250
PN	16	16	16	16	16	16	16	16
ACT	VB030	VB030	VB060	VB060	VB110	VB190	VB270	VB350
H (mm)	396	414	454	503	554.1	592.1	638.5	720.5
L1 (mm)	96	110	124	148	180	206	259	320
L2 (mm)	43	46	46	52	56	56	60	68
L3 (mm)	161	161	176	176	266	266	279	279
L4 (mm)	187	187	197	197	270	270	275	275
重量(KG)	6.5	7.2	8.5	10	16	17	23	31.5

12V AC/DC 调节型/ Modulating Model 12V AC/DC

型号 CODE	220EBE050W- 86L10603	220EBE065W- 86L10603	220EBE080W- 86L10606	220EBE100W- 86L10606	220EBE125W- 86L10611	220EBE150W- 86L10619	220EBE200W- 86L10627	220EBE250W- 86L10635
Y								

24V AC/DC 调节型/ Modulating Model 24V AC/DC

型号 CODE	220EBE050W- 86L00603	220EBE065W- 86L00603	220EBE080W- 86L00606	220EBE100W- 86L00606	220EBE125W- 86L00611	220EBE150W- 86L00619	220EBE200W- 86L00627	220EBE250W- 86L00635
Y								

220V AC 调节型/ Modulating Model 220V AC/DC

型号 CODE	220EBE050W- 86H00603	220EBE065W- 86H00603	220EBE080W- 86H00606	220EBE100W- 86H00606	220EBE125W- 86H00611	220EBE150W- 86H00619	220EBE200W- 86H00627	220EBE250W- 86H00635
Y								

更大口径另询
More size on request

Art. 220 series stainless steel electrical butterfly valve

阀体/Body: 不锈钢304/SS304、CF8、1. 4308 (可选/Optional: 不锈钢316/SS316、CF8M、1. 4408)

阀座/Seat: 乙丙橡胶/EPDM (可选/Optional: 丁晴橡胶/NBR)

阀板/Disc: 不锈钢304/CF8、1. 4308 (可选/Optional: 不锈钢316/SS316、CF8M、1. 4408、铸铁镀镍板/Cost iron GG25 nicr coated)

连接/Connection: 对夹式/WAFER type (可选/Optional: 支耳式/Lug type)

电压/Voltage: 380VAC、220VAC、24VDC (可选/Optional: 110VAC)

Art: 220EBE***W - ***

开关型/On-off-model

型号 CODE	220EBE050 W-HBAY	220EBE065 W-HBAY	220EBE080 W-HBAY	220EBE100 W-HCAY	220EBE125 W-HCAY	220EBE150 W-HDAY	220EBE200 W-HEAY	220EBE250 W-HFAY	220EBE300 W-HFAY	220EBE350 W-HGAY	220EBE400 W-HHAY
DN	50	65	80	100	125	150	200	250	300	350	400
PN	16	16	16	16	16	16	16	16	16	16	16
ACT	AEA-05	AEA-05	AEA-05	AEA-10	AEA-10	AEA-20	AEA-40	AEA-60	AEA-60	AEA-100	AEA-160
H (mm)	333	352	377	432	468	538	606	680	745	845	909
L1 (mm)	92	106	122	150	177	204	260	314	370	422	473
L2 (mm)	42	45	45	52	55	56	61	66	77	77	102
L3 (mm)	160	160	160	196	196	255	255	255	255	310	310
L4 (mm)	137	137	137	145	145	182	182	182	182	241	241
重量(KG)	4.3	4.5	5	8	10	17	21	29	48	57	76

有源触点 / Active contact

¥											
---	--	--	--	--	--	--	--	--	--	--	--

无源触点 / Dry contact

型号 CODE	220EBE050 W-HBBY	220EBE065 W-HBBY	220EBE080 W-HBBY	220EBE100 W-HCBY	220EBE125 W-HCBY	220EBE150 W-HDBY	220EBE200 W-HEBY	220EBE250 W-HFBY	220EBE300 W-HFBY	220EBE350 W-HGBY	220EBE400 W-HHBY
¥											

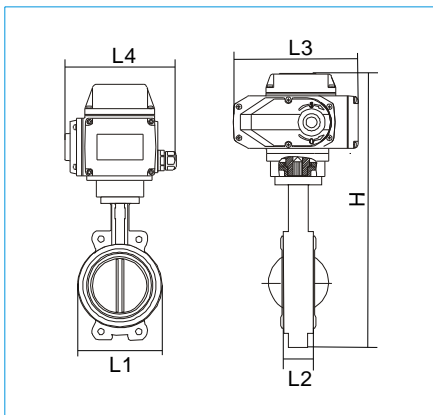
24VDC

型号 CODE	220EBE050 W-HBGY	220EBE065 W-HBGY	220EBE080 W-HBGY	220EBE100 W-HCGY	220EBE125 W-HCGY	220EBE150 W-HDGY	220EBE200 W-HEGY	220EBE250 W-HFGY	220EBE300 W-HFGY	220EBE350 W-HGGY	220EBE400 W-HHGY
¥											

380VAC

型号 CODE	220EBE050 W-HBHY	220EBE065 W-HBHY	220EBE080 W-HBHY	220EBE100 W-HCHY	220EBE125 W-HCHY	220EBE150 W-HDHY	220EBE200 W-HEHY	220EBE250 W-HFHY	220EBE300 W-HFHY	220EBE350 W-HGHY	220EBE400 W-HHHY
¥											

更大口径另询
More size on request



阀体/Body: 不锈钢304/SS304、CF8、1. 4308 (可选/Optional: 不锈钢316/SS316、CF8M、1. 4408)

阀座/Seat: 乙丙橡胶/EPDM (可选/Optional: 丁晴橡胶/NBR)

阀板/Disc: 不锈钢304、CF8、1. 4308 (可选/Optional: 不锈钢316/SS316、CF8M、1. 4408、铸铁镀镍板/Cost iron GG25 nicr coated)

连接/Connection: 对夹式/WAFER type (可选/Optional: 支耳式/Lug type)

电压/Voltage: 220VAC (可选/Optional: 110VAC)

带4-20mA输入/输出信号/with 4-20mA input/output signal

(可选/Optional: 1-5VDC输入信号/1-5VDC input signal)

Art: 220MBE***W - ****

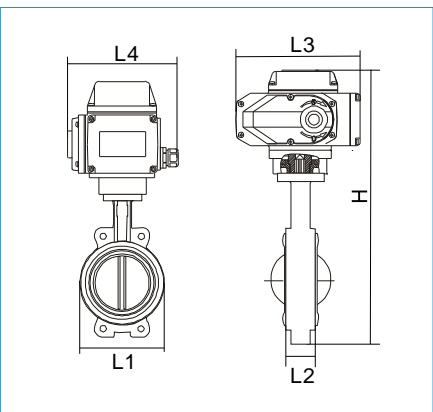
口径

特别代码

调节型/Modulating model

型号 CODE	220MBE050 W-HBEY	220MBE065 W-HBEY	220MBE080 W-HBEY	220MBE100 W-HCEY	220MBE125 W-HCEY	220MBE150 W-HDEY	220MBE200 W-HEEY	220MBE250 W-HFEY	220MBE300 W-HFEY	220MBE350W- HGEY	220MBE400W- HHEY
DN	50	65	80	100	125	150	200	250	300	350	400
PN	16	16	16	16	16	16	16	16	16	16	16
ACT	AEA-05E	AEA-05E	AEA-05E	AEA-10E	AEA-10E	AEA-20E	AEA-40E	AEA-60E	AEA-60E	AEA-100E	AEA-160E
H (mm)	333	352	377	432	468	538	606	680	745	845	909
L1 (mm)	92	106	122	150	177	204	260	314	370	422	473
L2 (mm)	42	45	45	52	55	56	61	66	77	77	102
L3 (mm)	160	160	160	196	196	255	255	255	255	310	310
L4 (mm)	137	137	137	145	145	182	182	182	182	241	241
重量(KG)	4.3	4.5	5	8	10	17	21	29	48	57	76
¥											

更大口径另询
More size on request



Art.220 series Explosion Proof stainless steel electrical butterfly valve

阀体/Body: 不锈钢304/SS304、CF8、1. 4308 (可选/Optional: 不锈钢316/SS316、CF8M、1. 4408)

阀座/Seat: 乙丙橡胶/EPDM (可选/Optional: 丁晴橡胶/NBR)

阀板/Disc: 不锈钢304、CF8、1. 4308 (可选/Optional: 不锈钢316/SS316、CF8M、1. 4408、铸铁镀镍板/Cost iron GG25 nicr coated)

连接/Connection: 对夹式/WAFER type (可选/Optional: 支耳式/Lug type)

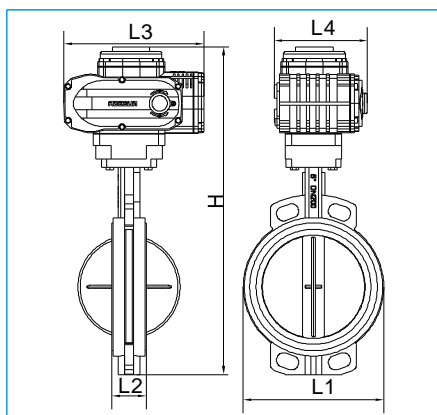
电压/Voltage: 380VAC、220VAC、24VDC (可选/Optional: 110VAC)

Art: 220EBE***W — ***-EX

口径

特别代码

开关型/On-off-model



型号 CODE	220EBE050W- HBAY-EX	220EBE065W- HBAY-EX	220EBE080W- HBAY-EX	220EBE100W- HCAY-EX	220EBE125W- HCAY-EX	220EBE150W- HDAY-EX	220EBE200W- HEAY-EX	220EBE250W- HFAY-EX	220EBE300W- HFAY-EX
DN	50	65	80	100	125	150	200	250	300
PN	16	16	16	16	16	16	16	16	16
ACT	AEA-EX05	AEA-EX05	AEA-EX05	AEA-EX10	AEA-EX10	AEA-EX20	AEA-EX40	AEA-EX60	AEA-EX60
H (mm)	358	376	389	470	501	542	618	700	756
L1 (mm)	96	110	124	148	180	206	259	320	370
L2 (mm)	43	46	46	52	56	56	60	68	78
L3 (mm)	170.5	170.5	170.5	217.5	217.5	217.5	266.5	266.5	266.5
L4 (mm)	120.5	120.5	120.5	139	139	139	170	170	170
重量(KG)	6	7	7.5	10.5	12.5	14	23	31.5	42.5

有源触点 / Active contact

¥									
---	--	--	--	--	--	--	--	--	--

无源触点 / Dry contact

型号 CODE	220EBE050W- HBBY-EX	220EBE065W- HBBY-EX	220EBE080W- HBBY-EX	220EBE100W- HCBY-EX	220EBE125W- HCBY-EX	220EBE150W- HDBY-EX	220EBE200W- HEBY-EX	220EBE250W- HFBY-EX	220EBE300W- HFBY-EX
¥									

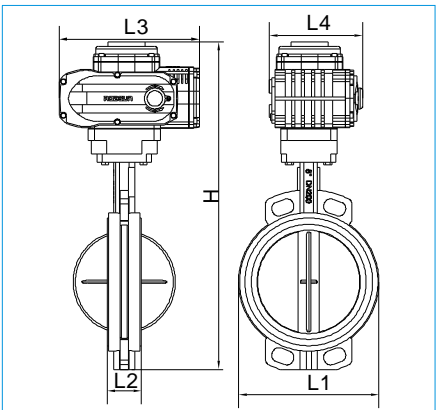
24VDC

型号 CODE	220EBE050W- HBGY-EX	220EBE065W- HBGY-EX	220EBE080W- HBGY-EX	220EBE100W- HCGY-EX	220EBE125W- HCGY-EX	220EBE150W- HDGY-EX	220EBE200W- HEGY-EX	220EBE250W- HFGY-EX	220EBE300W- HFGY-EX
¥									

380VAC

型号 CODE	220EBE050W- HBHY-EX	220EBE065W- HBHY-EX	220EBE080W- HBHY-EX	220EBE100W- HCHY-EX	220EBE125W- HCHY-EX	220EBE150W- HDHY-EX	220EBE200W- HEHY-EX	220EBE250W- HFHY-EX	220EBE300W- HFHY-EX
¥									

更大口径另询
More size on request



阀体/Body: 不锈钢304/SS304、CF8、1. 4308 (可选/Optional: 不锈钢316/SS316、CF8M、1. 4408)

阀座/Seat: 乙丙橡胶/EPDM (可选/Optional: 丁晴橡胶/NBR)

阀板/Disc: 不锈钢304、CF8、1. 4308 (可选/Optional: 不锈钢316/SS316、CF8M、1. 4408、铸铁镀镍板/Cost iron GG25 nicr coated)

连接/Connection: 对夹式/WAFER type (可选/Optional: 支耳式/Lug type)

电压/Voltage: 220VAC (可选/Optional: 110VAC)

带4-20mA输入/输出信号/with 4-20mA input/output signal
(可选/Optional: 1-5VDC输入信号/1-5VDC input signal)

Art: 220MBE***W — ***-EX

口径

特别代码

调节型/Modulating model

型号 CODE	220MBE050W- HBEY-EX	220MBE065W- HBEY-EX	220MBE080W- HBEY-EX	220MBE100W- HCEY-EX	220MBE125W- HCEY-EX	220MBE150W- HDEY-EX	220MBE200W- HEEY-EX	220MBE250W- HFEY-EX	220MBE300W- HFEY-EX
DN	50	65	80	100	125	150	200	250	300
PN	16	16	16	16	16	16	16	16	16
ACT	AEA-EX05E	AEA-EX05E	AEA-EX05E	AEA-EX10E	AEA-EX10E	AEA-EX20E	AEA-EX40E	AEA-EX60E	AEA-EX60E
H (mm)	358	376	389	470	501	542	618	700	756
L1 (mm)	96	110	124	148	180	206	259	320	370
L2 (mm)	43	46	46	52	56	56	60	68	78
L3 (mm)	170.5	170.5	170.5	217.5	217.5	217.5	266.5	266.5	266.5
L4 (mm)	120.5	120.5	120.5	139	139	139	170	170	170
重量(KG)	6	7	7.5	10.5	12.5	14	23	31.5	42.5
¥									

更大口径另询
More size on request

KV

SIZE		阀门开度 Valve Opening								
		10°	20°	30°	40°	50°	60°	70°	80°	90°
DN40	1-1/2"	0.7	2.4	6.9	14.2	22	36	59	81	113
DN50	2"	1.1	3.8	10.2	22	38	60	100	132	193
DN65	2-1/2"	2	7.5	18.2	35	61	95	187	240	315
DN80	3"	2.5	9.8	26	48	83	126	214	338	425
DN100	4"	3.8	14.6	39	72	119	221	361	606	723
DN125	5"	6.5	24	62	118	217	394	599	1038	1243
DN150	6"	10	41	95	175	326	542	873	1260	1859
DN200	8"	19	64	165	306	573	995	1567	2310	3124
DN250	10"	28	101	245	451	836	1462	2253	3256	4757
DN300	12"	34	129	312	615	1137	2125	3248	4991	7058
DN350	14"	47	163	390	795	1498	2573	3980	5749	8319
DN400	16"	62	231	508	1077	1971	3381	5385	8099	11458
DN450	18"	75	256	621	1208	2315	3925	6331	9474	13612
DN500	20"	103	346	859	1692	3086	5348	8513	13109	18748
DN600	24"	139	494	1153	2389	4466	7561	11945	18088	25217
DN700	28"	191	659	1674	3224	5990	10659	17442	25194	36821
DN750	30"	203	700	1777	3420	6354	11307	18503	26727	39062
DN800	32"	257	973	2302	4533	8235	14123	23021	31613	45995
DN900	36"	329	1253	2950	5862	10810	18184	29756	42893	61044
DN950	38"	460	1730	4020	7180	12170	19800	32490	49320	62150
DN1000	40"	510	1919	4456	7956	13494	21939	36000	54649	68874
DN1050	42"	562	2116	4913	8771	14877	24188	39690	60251	75934
DN1100	44"	617	2322	5392	9627	16328	26546	43560	66125	83338
DN1200	48"	734	2763	6417	11457	19431	31592	51840	78695	99179

KV值表示20°C的水在1Kg/Cm²压强下1小时流过的立方米数量。Cv=1.117Kv

Kv Value denotes the flow rate in m3/hr for water at 20°C under a pressure differential 1Kg/Cm².Cv=1.17Kv

扭矩 Torque(NM)

SIZE		润滑油（非腐蚀性）Lubricating(Non-corrosive)ΔP(bar)				无润滑Non-LubricatingΔP(bar)		
		3	6	10	16	3	6	10
DN40	1-1/2"	15	17	19	23	19	21	23
DN50	2"	15	17	19	23	19	21	23
DN65	2-1/2"	18	20	22	26	22	24	27
DN80	3"	28	31	34	41	34	38	42
DN100	4"	37	41	45	54	45	50	56
DN125	5"	61	68	76	91	76	84	93
DN150	6"	116	127	140	154	126	138	152
DN200	8"	171	190	211	253	211	234	260
DN250	10"	275	306	340	408	340	378	420
DN300	12"	381	423	470	564	470	522	580
DN350	14"	545	605	672	-	672	747	830
DN400	16"	728	809	899	-	899	999	1110
DN450	18"	912	1013	1126	-	1126	1251	1390
DN500	20"	1135	1261	1401	-	1401	1557	1730
DN600	24"	1325	1472	1636	-	1636	1818	2020
DN700	28"	2339	2599	2888	-	2888	3209	3566
DN750	30"	2608	2898	3220	-	3220	3578	3975
DN800	32"	3008	3342	3713	-	3713	4125	4583
DN900	36"	3828	4253	4726	-	4726	5251	5834
DN950	38"	4415	4920	6610	-	5450	6050	7100
DN1000	40"	5090	5680	7620	-	6280	7010	9410
DN1050	42"	5611	6262	8401	-	6924	7728	10374
DN1100	44"	6158	6872	9262	-	7599	8481	11385
DN1200	48"	7328	8178	11022	-	9043	10093	13548

包含30%安全系数。

Including a 30% safety factor

确定执行机构时，请勿将安全系数应用于以上扭矩值

Do not apply a safety factor to above torque value when determining actuator

材料特性推荐表



Valve Material Selection Guide

- 非常适用 Recommended
- 适用 Suitable
- 有限适用 Limited
- 不适用 Forbidden

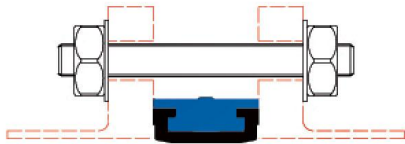
密封材质 Sealing Material		介质类型及适用程度 Kinds of media and Suitable guide													适用温度 Suitable Temperature	特点 Feature
		淡水 Fresh water	海水 Sea water	盐类 Salt	强碱 Strong soda	弱碱 Light soda	强酸 Strong acid	弱酸 Light acid	天然气 Natur e Gas	醇类 Alcohol	空气 Air	蒸汽 Steam	油类 Oil	食品 Food		
阀座 / S E A T	丁睛 NBR	非常适用	非常适用	非常适用	非常适用	适用	不适用	适用	非常适用	有限适用	非常适用	不适用	非常适用	适用	-10 ~ 100°C	耐油 Oil resisting
	三元乙丙 EPDM	非常适用	非常适用	非常适用	非常适用	非常适用	有限适用	非常适用	适用	适用	非常适用	非常适用	非常适用	非常适用	-10 ~ 120°C	耐老化 Age resisting
	天然橡胶 NR	非常适用	非常适用	非常适用	非常适用	非常适用	有限适用	适用	不适用	有限适用	非常适用	不适用	不适用	不适用	-20 ~ 80°C	高弹性 High spring
	氯丁橡胶 CR	非常适用	非常适用	适用	非常适用	非常适用	不适用	有限适用	不适用	有限适用	非常适用	不适用	不适用	适用	-40 ~ 82°C	耐光、耐老化 Light & age resisting
	硅橡胶 SI	非常适用	非常适用	适用	不适用	适用	不适用	适用	非常适用	适用	非常适用	有限适用	有限适用	非常适用	-10 ~ 150°C	耐热 Heat resisting
	氟橡胶 FPM	非常适用	非常适用	非常适用	有限适用	非常适用	有限适用	非常适用	非常适用	有限适用	非常适用	非常适用	非常适用	非常适用	-10 ~ 200°C	耐热、耐腐蚀 Heat & corrosion resisting
	聚四氟乙烯 PTFE	非常适用	非常适用	非常适用	非常适用	非常适用	非常适用	非常适用	非常适用	非常适用	非常适用	非常适用	非常适用	非常适用	-10 ~ 150°C	耐热、耐强腐蚀 Heat & high corrosion resisting
阀板 / D I S C	球铁镀镍 Nickel-plated ductile iron	适用	不适用	有限适用	不适用	有限适用	不适用	有限适用	适用	适用	适用	非常适用	非常适用	有限适用	-30 ~ 350°C	耐高温 High temperature resisting
	球铁尼龙覆层 Nylon-coating ductile iron	非常适用	非常适用	非常适用	非常适用	非常适用	不适用	非常适用	有限适用	非常适用	不适用	非常适用	非常适用	非常适用	-30 ~ 95°C	抗蚀、耐磨、减摩 Corrosion & wear resisting and low friction
	球铁氯化聚醚覆层 PCMO-coating ductile iron	非常适用	非常适用	非常适用	非常适用	非常适用	非常适用	非常适用	非常适用	非常适用	非常适用	非常适用	非常适用	非常适用	-30 ~ 130°C	耐强腐蚀、耐磨 High corrosion & wear resisting
	球铁四氟覆层 PTFE-coating ductile iron	非常适用	非常适用	适用	非常适用	适用	非常适用	非常适用	非常适用	非常适用	非常适用	非常适用	非常适用	非常适用	-30 ~ 160°C	耐强腐蚀、耐热 High corrosion & heat resisting
	铝青铜 Alumium bronze	●	有限适用	不适用	有限适用	不适用	适用	非常适用	非常适用	非常适用	非常适用	非常适用	非常适用	有限适用	-273 ~ 232°C	耐热、耐腐蚀 Heat & corrosion resisting
	不锈钢 Stainless steel	●	有限适用	有限适用	适用	有限适用	非常适用	非常适用	非常适用	非常适用	非常适用	非常适用	非常适用	非常适用	-268 ~ 538°C	耐高温、耐腐蚀 & corrosion resisting
	碳钢镀镍 Nickel-plated carbon steel	适用	不适用	有限适用	不适用	有限适用	有限适用	非常适用	非常适用	非常适用	非常适用	非常适用	非常适用	有限适用	-29 ~ 425°C	耐高温 High wtemperature resisting

●流速大于1.5M/S不适用 Not suitable for current velocity over 1.5M/S

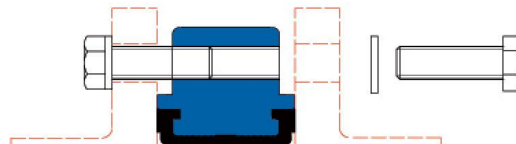
Art. 2**系列配套法兰尺寸



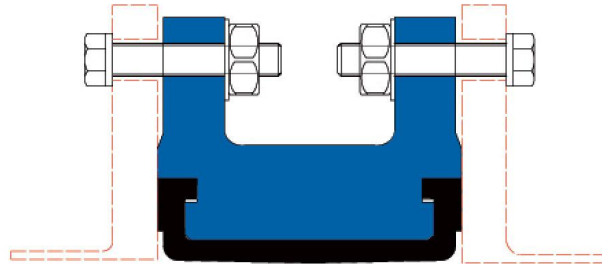
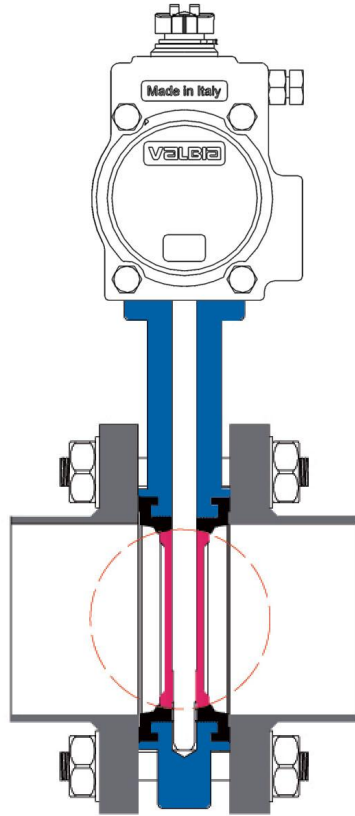
Art. 2** series Corresponding Flange size



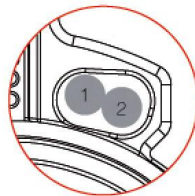
WAFER type: DN40-900



LT type: DN50-600

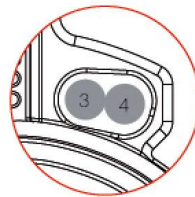


FLANGE type: DN50-600



1、GB9113.1 PN16、PN25

2、GB9113.1 PN10



3、JIS 10K JIS B2238、2239

4、ASME150 ASME B16.5

Unit : mm

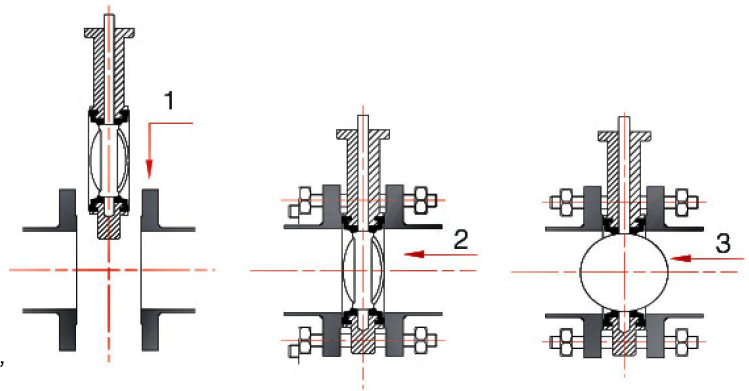
SIZE	PN10			PN16			PN25			ASME150			JIS10K			
	孔距 Distance	孔径 Size	孔数 Nnnumber	孔距 Distance	孔径 Size	孔数 Nnnumber	孔距 Distance	孔径 Size	孔数 Nnnumber	孔距 Distance	孔径 Size	孔数 Nnnumber	孔距 Distance	孔径 Size	孔数 Nnnumber	
DN40	1-1/2"	110	18	4	110	18	4	110	18	4	98.4	15.9	4	105	19	4
DN50	2"	125	18	4	125	18	4	125	18	4	120.7	19.1	4	120	19	4
DN65	2-1/2"	145	18	4	145	18	4	145	18	8	139.7	19.1	4	140	19	4
DN80	3"	160	18	8	160	18	8	160	18	8	152.4	19.1	4	150	19	8
DN100	4"	180	18	8	180	18	8	190	22	8	190.5	19.1	8	175	19	8
DN125	5"	210	18	8	210	18	8	220	26	8	215.9	22.2	8	210	23	8
DN150	6"	240	22	8	240	22	8	250	26	8	241.3	22.2	8	240	23	8
DN200	8"	295	22	8	295	22	12	310	26	12	298.5	22.2	8	290	23	12
DN250	10"	350	22	12	355	26	12	370	30	12	362	25.4	12	355	25	12
DN300	12"	400	22	12	410	26	12	430	30	16	431.8	25.4	12	400	25	16
DN350	14"	460	22	16	470	26	16	490	33	16	476.3	28.6	12	445	25	16
DN400	16"	515	26	16	525	30	16	550	36	20	539.8	28.6	16	510	27	16
DN450	18"	565	26	20	585	30	20	600	36	20	577.9	31.8	16	565	27	20
DN500	20"	620	26	20	650	33	20	660	36	20	635	31.8	20	620	27	20
DN600	24"	725	30	20	770	36	20	770	39	20	749.3	34.9	20	730	33	24
DN700	28"	840	30	24	840	36	24	875	42	24	863.6	35.1	28	840	33	24
DN750	30"	-	-	-	-	-	-	-	-	-	914.4	35.1	28	900	33	24
DN800	32"	950	33	24	950	39	24	990	48	24	977.9	41.1	28	950	33	28
DN900	36"	1050	33	28	1050	38	28	1090	48	28	1085.9	41.1	32	1000	22	28
DN950	38"	-	-	-	-	-	-	-	-	-	1149.4	41.1	32	-	-	-
DN1000	40"	1160	36	28	1170	42	28	1210	55	28	1200.2	41.1	36	1160	39	28
DN1050	42"	-	-	-	-	-	-	-	-	-	1257.3	41.1	36	-	-	-
DN1100	44"	-	-	-	-	-	-	-	-	-	1314.5	41.1	40	1270	39	28
DN1200	48"	1380	39	32	1390	48	32	1420	55	32	1422.4	41.1	44	1380	39	32

安装方法 Installation

- 1、推荐使用对焊法兰，不建议采用平焊法兰，因为钢管伸进平焊法兰时，容易碰到阀板，影响阀自由启闭。
Recommend to use butt welding flange. Do not use flat welding flange, because steel pipe can affect disc's free opening and closing if steel pipe enter flat welding flange.
- 2、确认法兰尺寸必须允许阀板自由转动，法兰内径不能过小或过大。
The inner diameter of flange can't be too small or too big and must confirm the dimension of flange so that the disc can turn free.
- 3、蝶阀装上后不允许再焊接法兰，以免烫伤衬圈。
For avoiding scalding the seat. Flange is not welded after the butterfly valve was installed in pipe.

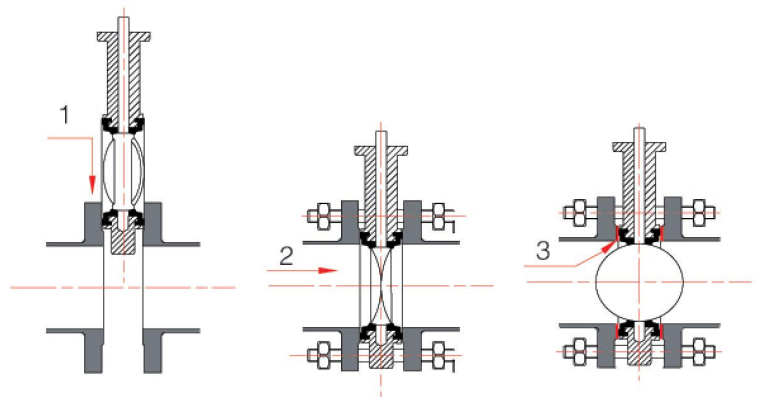
正确的安装方法 Correct Installation

- 1、将两片法兰撑开至最大距离，以便阀板小角度开启时将整个阀体插进去。较好的方法是先挂住底部一个螺栓，然后将整个蝶阀向上旋转插进二片法兰之间。
Keeping the biggest space between two pieces of flange so that the whole valve can enter this space when opening valve a little bit. We'd better hang a bolt at the bottom of valve, then turn up and put whole valve into the space.
- 2、在阀板处于小角度开启（而不是完全关闭）状态下，套上所有的螺栓但不要拧紧。
In the disc to be opened in a small angle (not completely closed) state, put at the bolts, but do not tightened.
- 3、（开到最大）确认蝶阀与管道已对中，然后按对角线方向逐个拧紧螺栓。
Fully open the butterfly valve, confirmed butterfly valve has been in the middle of pipeline, and then tighten diagonal bolts one by one.



错误的安装方法 Incorrect Installation

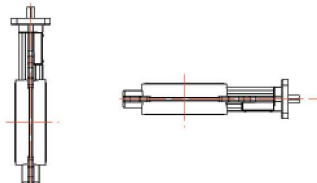
- 1、如未将两片法兰撑开足够距离可能会损伤或卷起阀座
If have not kept the biggest space between two pieces of flange, the seat may be damaged or rolled up by flange.
- 2、在蝶阀完全关闭的情况下拧紧螺栓会引起阀座的过度压缩，导致启闭扭矩过大，影响正常启闭并可能损坏阀座！这一点一定要引起重视。
When the butterfly valve be closed completely, tightening the bolt would over-compress seat, then lead to excessive torque and affect the normal opening and closing and damage seat perhaps! Please pay attention to it!
- 3、不需要使用密封垫片和油脂。
Do not need to use sealing gaskets and grease.



推荐方向
Recommended Direction



可接受方向
Acceptable Directioning



不建议
Un-recommended Direction



最好水平横装（阀轴水平） Horizontal installarion is recommended (the stem is in the level state)



ADESUN[®]
Valve

深圳市亚德逊阀门有限公司

地址: 深圳市南山区松白路丽河工业区4栋2楼

电话: 0755-88837918 传真: 0755-88835968

www.adesun.com E-mail: sales@adesun.com

ADESUN[®] 为亚德逊阀门公司的注册商标。

CAT NO. 1604-2*3