



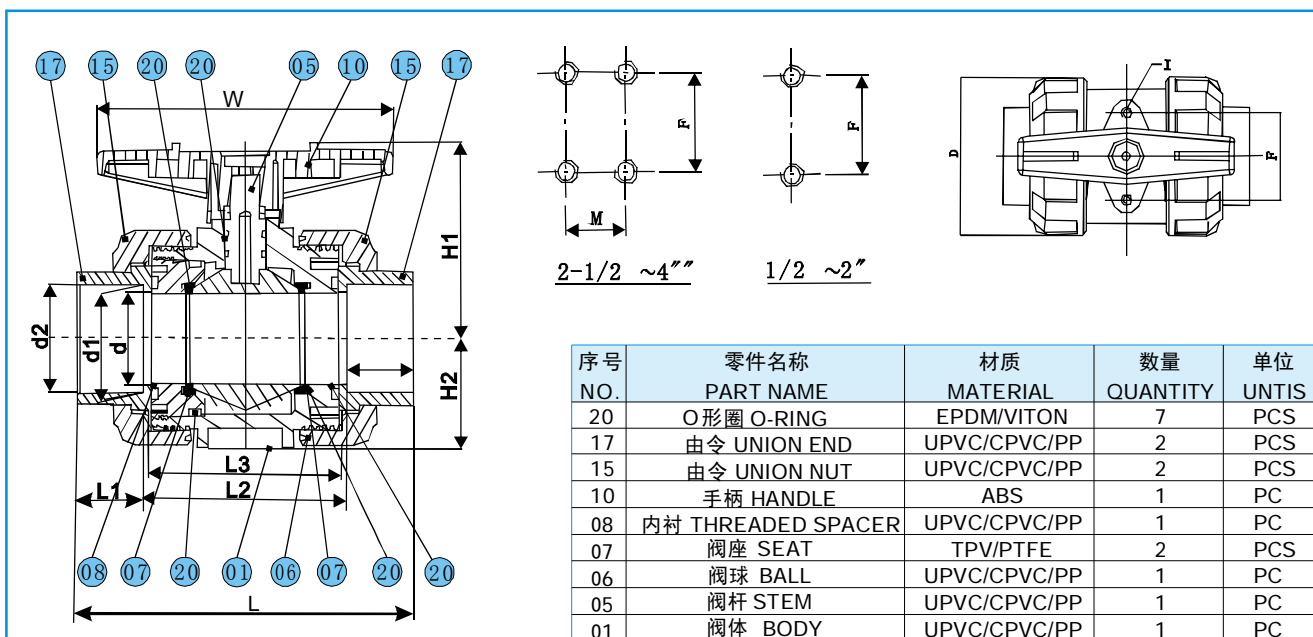
两通, PN10, 双由令活接,
Two ways, PN10, union socket ball valve

产品特性 SPECIFICATIONS

★工作压力:PN10
Working Pressure :PN10

★温度范围:15℃ ~+55℃
Temperature Range:15℃ ~+55℃

★适用介质:水、油、气及某些腐蚀性液体
Suitable medium:water,oil,air and some corrosive liquid



Unit: mm

口径 Size	d	d1				d2			
		d1	DIN	JIS	CNS	ANSI	DIN	JIS	CNS
1/2"(15)	15	21.54	20.30	22.30	22.40	21.23	20.10	21.70	21.90
3/4"(20)	20	26.87	25.30	26.30	26.40	26.57	25.10	25.70	25.90
1"(25)	25	33.65	32.30	32.33	34.50	33.27	32.10	31.67	33.90
1-1/4"(32)	32	42.42	40.30	38.43	42.50	42.04	40.10	37.57	41.90
1-1/2"(40)	40	48.56	50.30	48.46	48.60	48.11	50.10	47.54	47.90
2"(50)	50	60.63	63.30	60.58	60.60	60.17	63.10	59.44	59.90
2-1/2"(65)	65	73.38	75.30	76.60	76.70	72.85	75.10	75.87	75.90
3"(80)	75	89.31	90.40	89.60	89.70	88.70	90.10	88.83	88.90
4"(100)	100	114.76	110.40	114.70	115.00	114.10	110.10	113.98	113.80

Unit: mm

口径 Size	D	L		L1		DIN	L2	L3	W	H1	H2	F	M	I	Operating Torque (Nm)
		ANSI	DIN	ANSI	DIN										
		/JIS	/CNS	/JIS	/CNS										
1/2"(15)	54	104.8	92	22.3	16	60	52	84	52.5	27.5	31	—	M6	2	
3/4"(20)	63	113	100	25.5	19	62	54	90	59	32	33	—	M6	2.5	
1"(25)	73.5	127.2	114	28.6	22	70	62	106	67.5	37.25	40	—	M6	4	
1-1/4"(32)	84.5	142	130	32	26	78	70	116	77.5	42.75	52	—	M6	5	
1-1/2"(40)	98	157.5	151	35	32	87.5	79.5	128	90	50	52	—	M6	7.5	
2"(50)	118	171	171	38	—	95	85	140	106	60	70	—	M6	8.5	
2-1/2"(65)	150	238.5	238.5	47	—	144.5	132.5	210	136.5	78.5	84	45	M10	13	
3"(80)	169	268	268	51	—	166	150	235	149.5	86	84	45	M10	16	
4"(100)	211	318	318	61	—	196	172	260	175	107	121	49	M12	25	

Art. 334系列双由令U-PVC球阀选型表

Art. 334 series product ordering matrix

334/335	D		015	G	-	HABS
系列号 series 334-Double union 335-Double flange	驱动形式 operator H-手动手柄 manual handle D-气动双动 double acting S-气动单动 spring return E-电动开关型 on/off M-电动调节型 modulating	阀体材质 body material 空白 -UPVC (blank) 2P -PP	口径 size 015-DN15 1/2" 020-DN20 3/4" 025-DN25 1" 032-DN32 1-1/4" 040-DN40 1-1/2" 050-DN50 2" 065-DN65 2-1/2" 080-DN80 3" 100-DN100 4"	连接形式 connection G-GB 国标 N-ANSI 美标 J-JIS 日标 D-DIN 德标		特别代码 special code
<p>备注：如有其他要求请详询。 Notes: If you have other requirements on request, please contact sales department.</p>						

阀体/Body: U-PVC

阀座/Seat: PTFE

连接/Connection: 由令活接/Union socket (GB, ANSI, DIN, JIS)

(可选/Optional: 螺纹/Thread、法兰/Flange)

配VALBIA气动执行器/with VALBIA pneumatic actuator

在由令端有EPDM "O"环, 配合PTFE垫座之使用, 能防止多数化学物质之腐蚀/ Use EPDM "O" ring By the end of True Union and the PTFE gasket seat can prevent Most of the chemical corrosion

Art: 334D*G - ******
口径 特别代码

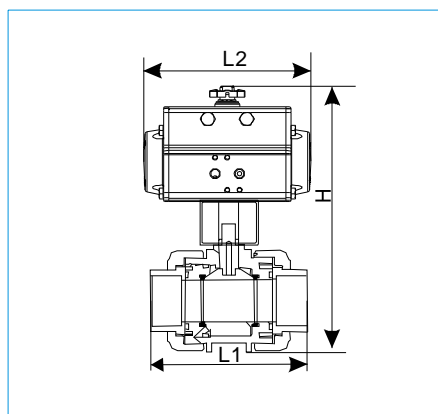
双动/Double acting

型号 CODE	334D015G -VANS	334D020G -AVNS	334D025G -VCNS	334D032G -VCNS	334D040G -VCNS	334D050G -VCNS	334D065G -VDNS	334D080G -VDNS	334D100G -VENS
DN	15	20	25	32	40	50	65	80	100
PN	10	10	10	10	10	10	10	10	10
ACT	DA32	DA32	DA52	DA52	DA52	DA52	DA63	DA63	DA75
H (mm)	185	196	246	262	282	308	386	409	473
L1 (mm)	92	100	114	130	151	171	238.5	268	318
L2 (mm)	110	110	141	141	141	141	164	164	210
参考重量(KG)	1.6	1.7	1.8	2.5	2.85	3.5	4.05	6.75	9.5
¥									

Art: 334S*G - ******
口径 特别代码

单动/Single acting

型号 CODE	334S015G -VCNS	334S020G -VCNS	334S025G -VCNS	334S032G -VDNS	334S040G -VDNS	334S050G -VENS	334S065G -VENS	334S080G -VFNS	334S100G -VHNS
DN	15	20	25	32	40	50	65	80	100
PN	10	10	10	10	10	10	10	10	10
ACT	SR52	SR52	SR52	SR63	SR63	SR75	SR75	SR85	SR100
H (mm)	221.5	232.5	246	273.5	293.5	337.5	404	441	500
L1 (mm)	92	100	114	130	151	171	238.5	268	318
L2 (mm)	141	141	141	164	164	210	210	240.5	275
参考重量(KG)	1.7	1.8	1.9	2.7	3	5.2	5.8	8.7	13
¥									





阀体/Body: U-PVC (可选/Optional: PP)

阀座/Seat: PTFE

连接/Connection: 由令活接/Union socket (GB、ANSI、DIN、JIS)
(可选/Optional: 螺纹/Thread、法兰/Flange)

配 ADESUN 气动执行器/with ADESUN pneumatic actuator

在由令端有EPDM "O"环, 配合PTFE垫座之使用, 能防止多数化学物质之腐蚀./ Use

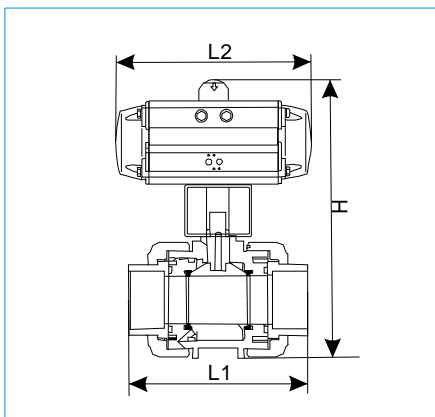
EPDM "O" ring By the end of True Union and the PTFE gasket seat can prevent
Most of the chemical corrosion

Art: 334D***G - ****

口径 特别代码

双动/Double acting

型号 CODE	334D015G -CCNS	334D020G -CCNS	334D025G -CCNS	334D032G -CCNS	334D040G -CCNS	334D050G -CCNS	334D065G -CDNS	334D080G -CDNS	334D100G -CENS
DN	15	20	25	32	40	50	65	80	100
PN	10	10	10	10	10	10	10	10	10
ACT	ACD050	ACD050	ACD050	ACD050	ACD050	ACD050	ACD063	ACD063	ACD075
H (mm)	161	172	186	202	221	247	312	335	402.5
L1 (mm)	92	100	114	130	151	171	238.5	268	318
L2 (mm)	154.5	154.5	154.5	154.5	154.5	154.5	168	168	219
参考重量(KG)	1.6	1.7	1.8	2.5	2.85	3.5	4.05	6.75	9.5
¥									



Art: 334S***G - ****

口径 特别代码

单动/Single acting

型号 CODE	334S015G -CCNS	334S020G -CCNS	334S025G -CCNS	334S032G -CCNS	334S040G -CDNS	334S050G -CDNS	334S065G -CENS	334S080G -CGNS	334S100G -CHNS
DN	15	20	25	32	40	50	65	80	100
PN	10	10	10	10	10	10	10	10	10
ACT	ACS050	ACS050	ACS050	ACS050	ACS063	ACS063	ACS075	ACS090	ACS090
H (mm)	161	172	186	202	239	265	334	369	415
L1 (mm)	92	100	114	130	151	171	238.5	268	318
L2 (mm)	154.5	154.5	154.5	154.5	168	168	219	249	249
参考重量(KG)	1.7	1.8	1.9	2.7	3	5.2	5.8	8.7	13
¥									



阀体/Body: PP (可选/Optional: U-PVC)

阀座/Seat: PTFE

连接/Connection: 由令活接/Union socket (GB、ANSI、DIN、JIS)
(可选/Optional: 螺纹/Thread、法兰/Flange)

配 ADESUN 气动执行器/with ADESUN pneumatic actuator

在由令端有EPDM "O"环, 配合PTFE垫座之使用, 能防止多数化学物质之腐蚀./ Use

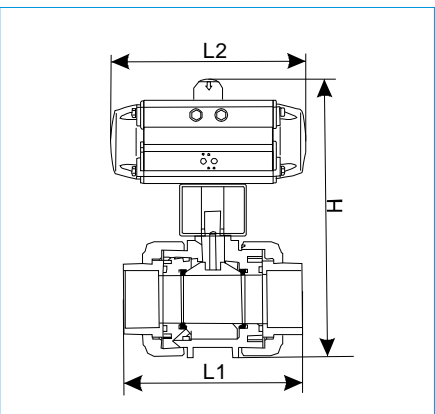
EPDM "O" ring By the end of True Union and the PTFE gasket seat can prevent
Most of the chemical corrosion

Art: 334D2P***G - ****

口径 特别代码

双动/Double acting

型号 CODE	334D2P015G -CCNS	334D2P020G -CCNS	334D2P025G -CCNS	334D2P032G -CCNS	334D2P040G -CCNS	334D2P050G -CCNS	334D2P065G -CDNS	334D2P080G -CDNS	334D2P100G -CENS
DN	15	20	25	32	40	50	65	80	100
PN	10	10	10	10	10	10	10	10	10
ACT	ACD050	ACD050	ACD050	ACD050	ACD050	ACD050	ACD063	ACD063	ACD075
H (mm)	161	172	186	202	221	247	312	335	402.5
L1 (mm)	92	100	114	130	151	171	238.5	268	318
L2 (mm)	154.5	154.5	154.5	154.5	154.5	154.5	168	168	219
参考重量(KG)	1.6	1.7	1.8	2.5	2.85	3.5	4.05	6.75	9.5
¥									

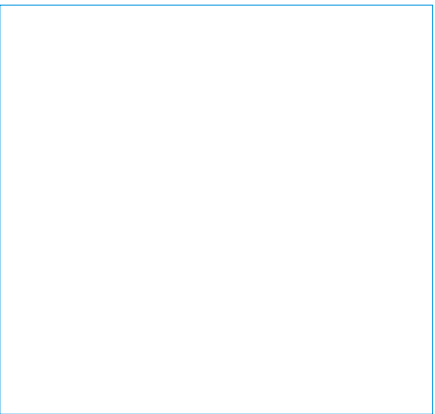
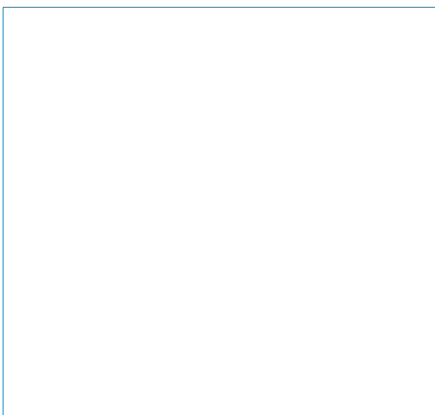


Art: 334S2P***G - ****

口径 特别代码

单动/Single acting

型号 CODE	334S2P015G -CCNS	334S2P020G -CCNS	334S2P025G -CCNS	334S2P032G -CCNS	334S2P040G -CDNS	334S2P050G -CDNS	334S2P065G -CENS	334S2P080G -CGNS	334S2P100G -CHNS
DN	15	20	25	32	40	50	65	80	100
PN	10	10	10	10	10	10	10	10	10
ACT	ACS050	ACS050	ACS050	ACS050	ACS063	ACS063	ACS075	ACS090	ACS090
H (mm)	161	172	186	202	239	265	334	369	415
L1 (mm)	92	100	114	130	151	171	238.5	268	318
L2 (mm)	154.5	154.5	154.5	154.5	168	168	219	249	249
参考重量(KG)	1.7	1.8	1.9	2.7	3	5.2	5.8	8.7	13
¥									



阀体/Body: U-PVC (可选/Optional: PP)

阀座/Seat: PTFE

连接/Connection: 由令活接/Union socket (GB, ANSI, DIN, JIS)
(可选/Optional: 螺纹/Thread、法兰/Flange)

配 **VALBIA** 电动执行器/with **VALBIA** electrical actuator

电压/Voltage: 220VAC、24VDC、380VAC (可选/Optional: 110VAC)

在由令端有EPDM "O"环, 配合PTFE垫座之使用, 能防止多数化学物质之腐蚀/ Use EPDM "O" ring By the end of True Union and the PTFE gasket seat can prevent Most of the chemical corrosion

Art: **334E***G** - *******
口径 特别代码

开关型/On-off-model

型号 CODE	334E015G -***	334E020G -***	334E025G -***	334E032G -***	334E040G -***	334E050G -***	334E065G -***	334E080G -***	334E100G -***
DN	15	20	25	32	40	50	65	80	100
H (mm)	221.5	232.5	246.25	261.75	281.5	354	401	450.5	497
L1 (mm)	92	100	114	130	151	171	238.5	268	318
L2 (mm)	72	72	72	72	72	72	160	160	160
参考重量(KG)	1.7	1.73	1.85	2.1	2.45	3.1	4.45	5.95	8.35
12VAC/VDC 开关型/On Off model 12VAC/VDC									
型号 CODE	334E015G -85L10001	334E020G -85L10001	334E025G -85L10001	334E032G -85L10001	334E040G -85L10001	334E050G -85L10003	334E065G -85L10003	334E080G -85L10006	334E100G -85L10006
¥									
24VAC/VDC 开关型/On Off model 24VAC/VDC									
型号 CODE	334E015G -85L00001	334E020G -85L00001	334E025G -85L00001	334E032G -85L00001	334E040G -85L00001	334E050G -85L00003	334E065G -85L00003	334E080G -85L00006	334E100G -85L00006
¥									
220VAC/VDC 开关型/On Off model 220VAC/VDC									
型号 CODE	334E015G -85H00001	334E020G -85H00001	334E025G -85H00001	334E032G -85H00001	334E040G -85H00001	334E050G -85H00003	334E065G -85H00003	334E080G -85H00006	334E100G -85H00006
¥									

阀体/Body: U-PVC (可选/Optional: PP)

阀座/Seat: PTFE

连接/Connection: 由令活接/Union socket (GB, ANSI, DIN, JIS)
(可选/Optional: 螺纹/Thread、法兰/Flange)

配 **VALBIA** 电动执行器/with **VALBIA** electrical actuator

电压/Voltage: 220VAC (可选/Optional: 110VAC)

在由令端有EPDM "O"环, 配合PTFE垫座之使用, 能防止多数化学物质之腐蚀/ Use EPDM "O" ring By the end of True Union and the PTFE gasket seat can prevent Most of the chemical corrosion

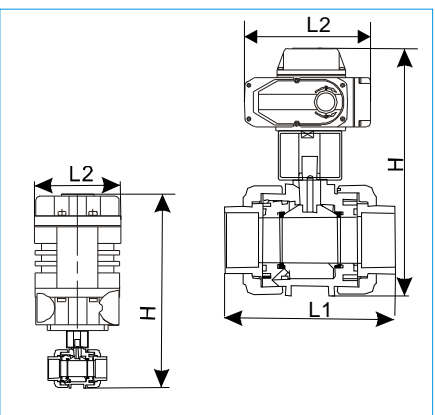
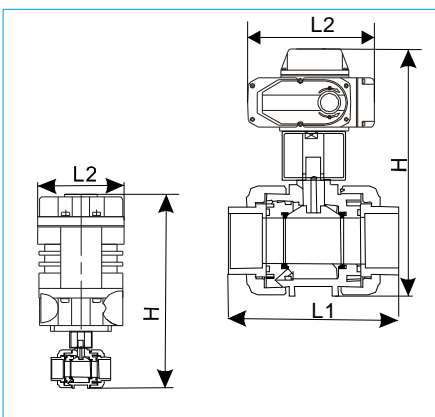
带4-20mA输入/输出信号/with 4-20mA input / output signal

(可选/Optional: 1-5VDC输入信号/1-5VDC input signal)

Art: **334M***G** - *******
口径 特别代码

调节型/Modulating model

型号 CODE	334M015G -***	334M020G -***	334M025G -***	334M032G -***	334M040G -***	334M050G -***	334M065G -***	334M080G -***	334M100G -***
DN	15	20	25	32	40	50	65	80	100
H (mm)	221.5	232.5	246.25	261.75	281.5	354	401	450.5	497
L1 (mm)	92	100	114	130	151	171	238.5	268	318
L2 (mm)	72	72	72	72	72	72	160	160	160
参考重量(KG)	1.7	1.73	1.85	2.1	2.45	3.1	4.45	5.95	8.35
12VAC/DC 调节型/Modulating model 12VAC/DC									
型号 CODE	334M015G -85L12003	334M020G -85L12003	334M025G -85L12003	334M032G -85L12003	334M040G -85L12003	334M050G -85L12003	334M065G -85L12003	334M080G -85L12006	334M100G -85L12006
¥									
24VAC/DC 调节型/Modulating model 24VAC/DC									
型号 CODE	334M015G -85L02003	334M020G -85L02003	334M025G -85L02003	334M032G -85L02003	334M040G -85L02003	334M050G -85L02003	334M065G -85L02003	334M080G -85L02006	334M100G -85L02006
¥									
220VAC/DC 调节型/Modulating model 220VAC/DC									
型号 CODE	334M015G -85H00603	334M020G -85H00603	334M025G -85H00603	334M032G -85H00603	334M040G -85H00603	334M050G -85H00603	334M065G -85H00603	334M080G -85H00606	334M100G -85H00606
¥									



阀体/Body: U-PVC (可选/Optional: PP)

阀座/Seat: PTFE

连接/Connection: 由令活接/Union socket (GB, ANSI, DIN, JIS)
(可选/Optional: 螺纹/Thread、法兰/Flange)

配 ADESUN 电动执行器/with ADESUN electrical actuator

电压/Voltage: 220VAC、24VDC、380VAC (可选/Optional: 110VAC)

在由令端有EPDM "O"环, 配合PTFE垫座之使用, 能防止多数化学物质之腐蚀/ Use EPDM "O" ring By the end of True Union and the PTFE gasket seat can prevent Most of the chemical corrosion

Art: **334E***G** - ********
口径 特别代码

开关型/On-off-model

型号 CODE	334E015G -HABS	334E020G -HABS	334E025G -HABS	334E032G -HABS	334E040G -HABS	334E050G -HABS	334E065G -HBAS	334E080G -HBAS	334E100G -HBAS
DN	15	20	25	32	40	50	65	80	100
PN	10	10	10	10	10	10	10	10	10
H (mm)	197	208	221.75	237.25	257	283	369	391	445
L1 (mm)	92	100	114	130	151	171	238.5	268	318
L2 (mm)	72	72	72	72	72	72	160	160	160
参考重量(KG)	1.7	1.73	1.85	2.1	2.45	3.1	4.45	5.95	8.35
有源触点/ Active contact / 220VAC									
¥									
无源触点/ Dry contact / 220VAC									
型号 CODE	334E015G -HABS	334E020G -HABS	334E025G -HABS	334E032G -HABS	334E040G -HABS	334E050G -HABS	334E065G -HBBS	334E080G -HBBS	334E100G -HBBS
¥									
24VDC									
型号 CODE	334E015G -HAGS	334E020G -HAGS	334E025G -HAGS	334E032G -HAGS	334E040G -HAGS	334E050G -HAGS	334E065G -HBGS	334E080G -HBGS	334E100G -HBGS
¥									
380VAC									
型号 CODE	334E015G -HBHS	334E020G -HBHS	334E025G -HBHS	334E032G -HBHS	334E040G -HBHS	334E050G -HBHS	334E065G -HBHS	334E080G -HBHS	334E100G -HBHS
ACT	AEA-05H	AEA-05H	AEA-05H	AEA-05H	AEA-05H	AEA-05H	AEA-05H	AEA-05H	AEA-05H
H (mm)	223	234	248	263	283	309	369	391	445
L1 (mm)	92	100	114	130	151	171	238.5	268	318
L2 (mm)	160	160	160	160	160	160	160	160	160
参考重量(KG)	2.5	2.53	2.65	2.9	3.25	3.9	4.45	5.95	8.35
¥									

阀体/Body: U-PVC (可选/Optional: PP)

阀座/Seat: PTFE

连接/Connection: 由令活接/Union socket (GB, ANSI, DIN, JIS)
(可选/Optional: 螺纹/Thread、法兰/Flange)

配 ADESUN 电动执行器/with ADESUN electrical actuator

电压/Voltage: 220VAC (可选/Optional: 110VAC)

在由令端有EPDM "O"环, 配合PTFE垫座之使用, 能防止多数化学物质之腐蚀/ Use EPDM "O" ring By the end of True Union and the PTFE gasket seat can prevent Most of the chemical corrosion

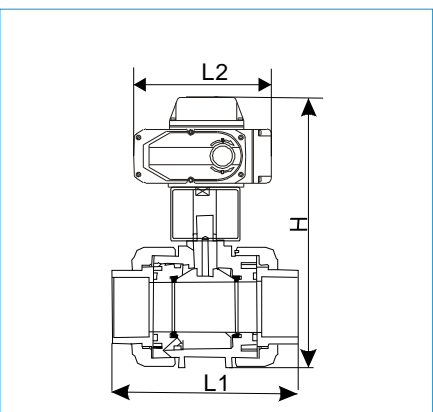
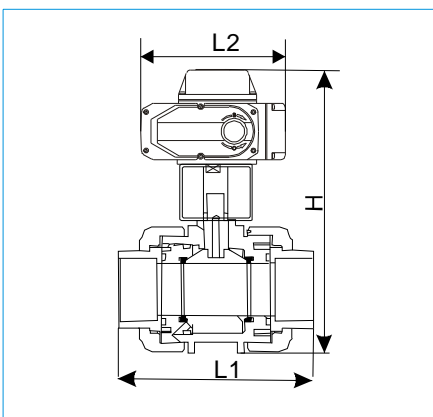
带4-20mA输入/输出信号/with 4-20mA input/output signal

(可选/Optional: 1-5VDC输入信号/1-5VDC input signal)

Art: **334M***G** - ********
口径 特别代码

调节型/Modulating model

型号 CODE	334M015G -HAES	334M020G -HAES	334M025G -HAES	334M032G -HAES	334M040G -HAES	334M050G -HAES	334M065G -HBES	334M080G -HBES	334M100G -HBES
DN	15	20	25	32	40	50	65	80	100
PN	10	10	10	10	10	10	10	10	10
ACT	AEA-02E	AEA-02E	AEA-02E	AEA-02E	AEA-02E	AEA-02E	AEA-05E	AEA-05E	AEA-05E
H (mm)	223	234	248	263	283	309	369	391	445
L1 (mm)	92	100	114	130	151	171	238.5	268	318
L2 (mm)	72	72	72	72	72	72	160	160	160
参考重量(KG)	1.7	1.73	1.85	2.1	2.45	3.1	4.45	5.95	8.35
¥									



阀体/Body: U-PVC (可选/Optional: PP)

阀座/Seat: PTFE

连接/Connection: 由令活接/Union socket (GB, ANSI, DIN, JIS)
(可选/Optional: 螺纹/Thread、法兰/Flange)

配 **ADESUN** 防爆电动执行器/with **ADESUN** EX electrical actuator

防爆等级: Exd IIBT4/Explosion-proof grade:Exd IIBT4

电压/Voltage: 220VAC、24VDC、380VAC (可选/Optional: 110VAC)

在由令端有EPDM "O"环, 配合PTFE垫座之使用, 能防止多数化学物质之腐蚀/ Use EPDM "O" ring By the end of True Union and the PTFE gasket seat can prevent Most of the chemical corrosion

Art: 334E***G - ***-EX

型号 CODE	334E015G -HBAS-EX	334E020G -HBAS-EX	334E025G -HBAS-EX	334E032G -HBAS-EX	334E040G -HBAS-EX	334E050G -HBAS-EX	334E065G -HBAS-EX	334E080G -HBAS-EX	334E100G -HBAS-EX
DN	15	20	25	32	40	50	65	80	100
PN	10	10	10	10	10	10	10	10	10
H (mm)	200	211	224.75	240.25	260	286	333	355.5	402
L1 (mm)	92	100	114	130	151	171	238.5	268	318
L2 (mm)	170.5	170.5	170.5	170.5	170.5	170.5	170.5	170.5	170.5
参考重量(KG)	3.7	2.73	2.85	4.1	4.45	5.1	5.45	6.95	9.35
有源触点 / Active contact / 220VAC									
¥									
无源触点 / Dry contact / 220VAC									
型号 CODE	334E015G -HBBS-EX	334E020G -HBBS-EX	334E025G -HBBS-EX	334E032G -HBBS-EX	334E040G -HBBS-EX	334E050G -HBBS-EX	334E065G -HBBS-EX	334E080G -HBBS-EX	334E100G -HBBS-EX
¥									
24VDC									
型号 CODE	334E015G -HBGS-EX	334E020G -HBGS-EX	334E025G -HBGS-EX	334E032G -HBGS-EX	334E040G -HBGS-EX	334E050G -HBGS-EX	334E065G -HBGS-EX	334E080G -HBGS-EX	334E100G -HBGS-EX
¥									
380VAC									
型号 CODE	334E015G -HBHS	334E020G -HBHS	334E025G -HBHS	334E032G -HBHS	334E040G -HBHS	334E050G -HBHS	334E065G -HBHS	334E080G -HBHS	334E100G -HBHS
ACT	AEA-05H	AEA-05H	AEA-05H	AEA-05H	AEA-05H	AEA-05H	AEA-05H	AEA-05H	AEA-05H
H (mm)	200	211	224.75	240.25	260	286	333	355.5	402
L1 (mm)	92	100	114	130	151	171	238.5	268	318
L2 (mm)	170.5	170.5	170.5	170.5	170.5	170.5	170.5	170.5	170.5
参考重量(KG)	3.7	2.73	2.85	4.1	4.45	5.1	5.45	6.95	9.35
¥									

阀体/Body: U-PVC (可选/Optional: PP)

阀座/Seat: PTFE

连接/Connection: 由令活接/Union socket (GB, ANSI, DIN, JIS)
(可选/Optional: 螺纹/Thread、法兰/Flange)

配 **ADESUN** 防爆电动执行器/with **ADESUN** EX electrical actuator

防爆等级: Exd IIBT4/Explosion-proof grade:Exd IIBT4

电压/Voltage: 220VAC (可选/Optional: 110VAC)

在由令端有EPDM "O"环, 配合PTFE垫座之使用, 能防止多数化学物质之腐蚀/ Use EPDM "O" ring By the end of True Union and the PTFE gasket seat can prevent Most of the chemical corrosion

带4-20mA输入/输出信号/with 4-20mA input / output signal

(可选/Optional: 1-5VDC输入信号/1-5VDC input signal)

Art: 334M***G - ***

型号 CODE	334M015G -HBES-EX	334M020G -HBES-EX	334M025G -HBES-EX	334M032G -HBES-EX	334M040G -HBES-EX	334M050G -HBES-EX	334M065G -HBES-EX	334M080G -HBES-EX	334M100G -HBES-EX
DN	15	20	25	32	40	50	65	80	100
PN	10	10	10	10	10	10	10	10	10
ACT	AEA-05E	AEA-05E	AEA-05E	AEA-05E	AEA-05E	AEA-05E	AEA-05E	AEA-05E	AEA-05E
H (mm)	200	211	224.75	240.25	260	286	333	355.5	402
L1 (mm)	92	100	114	130	151	171	238.5	268	318
L2 (mm)	170.5	170.5	170.5	170.5	170.5	170.5	170.5	170.5	170.5
参考重量(KG)	3.7	2.73	2.85	4.1	4.45	5.1	5.45	6.95	9.35
¥									