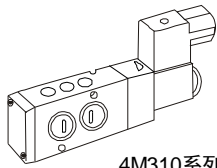


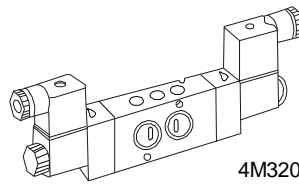
4M系列电磁阀



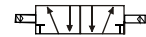
4M series solenoid valve



4M310系列 4M310 Series



4M320系列 4M320 Series



型号 Type	4M310-08	4M320-08	4M310-10	4M320-10
材质 Material	阀体: 铝合金 密封: NBR		Body: Aluminum alloy Seals:NBR	
位置数 Function	二位五通 5 port 2 position			
有效截面积 Eff.sectional Area	25m ² (CV=1.4)		30m ² (CV=1.68)	
接管口径 Pipe Size	进气 = 出气 = 排气 = G1/4" Inlet=Outlet=Exhaust=G1/4"		进气 = 出气 = G3/8" 排气 = G1/4" Inlet=Outlet=G3/8" Exhaust=G1/4"	
工作介质 Fluids	经 40 微米过滤的空气 After 40 micron filtration of air			
动作方式 Action mode	内部先导式 Internal Pilot			
使用压力 Working Pressure	0.15-0.8Mpa			
最大耐压力 Max.pressure	1.2Mpa			
工作温度 Working temperature	5-50 °C			
电压范围 Permissible Voltage Variation	±10 %			
耗电量 Power consumption	AC : 5.5VA DC : 4.8W			
绝缘性及防护等级 Coil insulation and Protection with connedor	F 级别 IP65 F-class IP65			
接线形式 Connection form	出线式或端子式 Flying Leads or terminal type			
最高动作频率 Max.working frequency	每秒五次 5C/sec			
最短励磁时间 Minimum excitation time	0.05 秒 0.05 Seconds			

选型表 Ordering No.

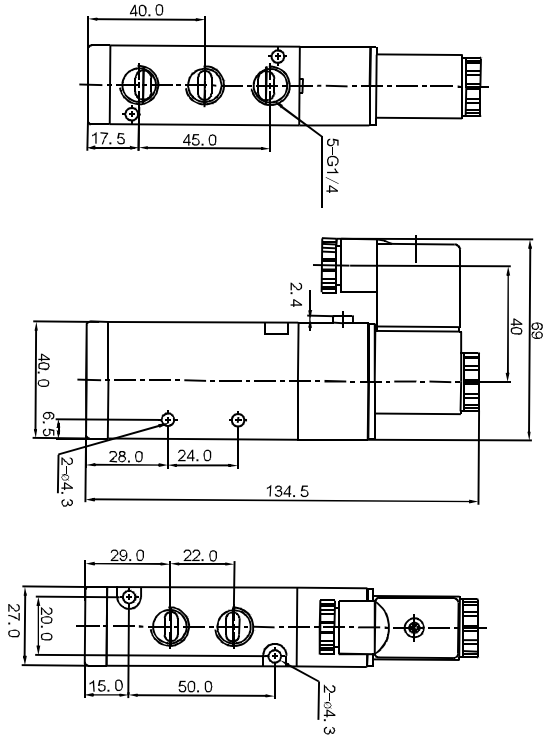
4M	3	10	-	08	B	-	AC220V	-	EX
规格代码 SPEC code 4M: 5/2、3/2电磁阀 5/2、3/2 solenoid valve	系列代码 valve series 300系列 300 series	接管口径 Pipe Size 08: G1/4" 10: G3/8"	线圈 Coil 10: 单头 Single Coil 20: 双头 Dual Coil	接管形式 Connections Type 空白: 管接式 Blank: Pipe Connection B: 二位五通板接式 B: 5/2 Plates interface type	标准电压 Standard Voltage DC24V AC110V 50HZ/60HZ AC220V 50HZ/60HZ AC380V 50HZ/60HZ	空白: 普通 blank: ordinary EX: 防爆 EX: Explosion proof			

注: 如需其它电压请详询。

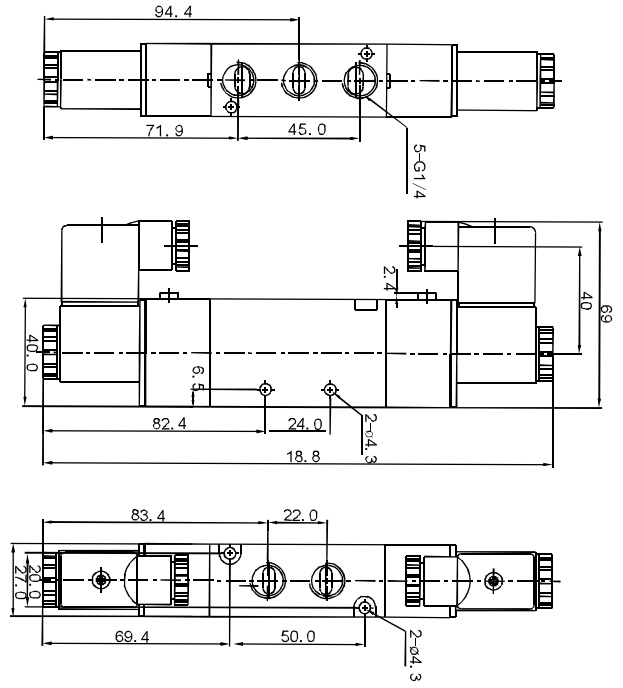
外形尺寸 SIZE



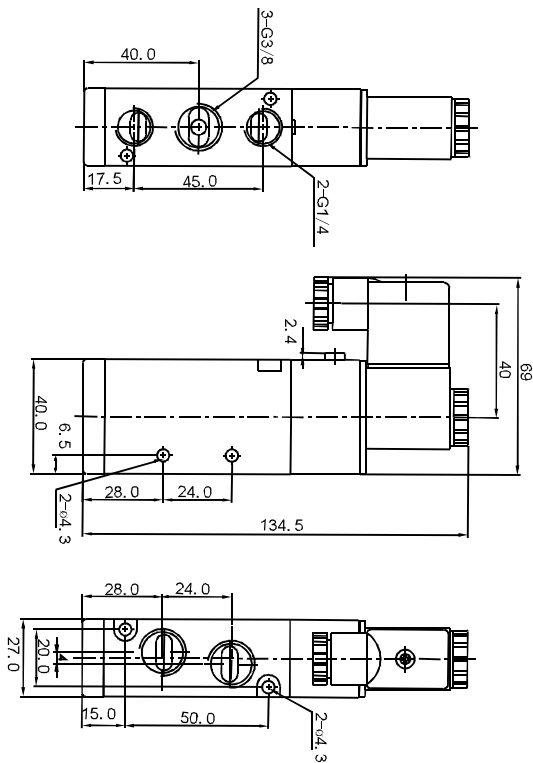
TYPE:4M310-08



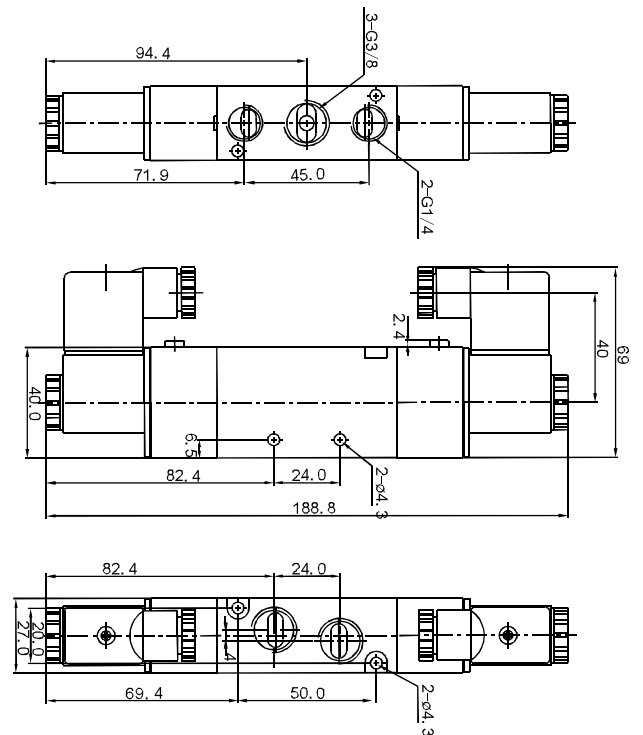
TYPE:4M320-08



TYPE:4M310-10



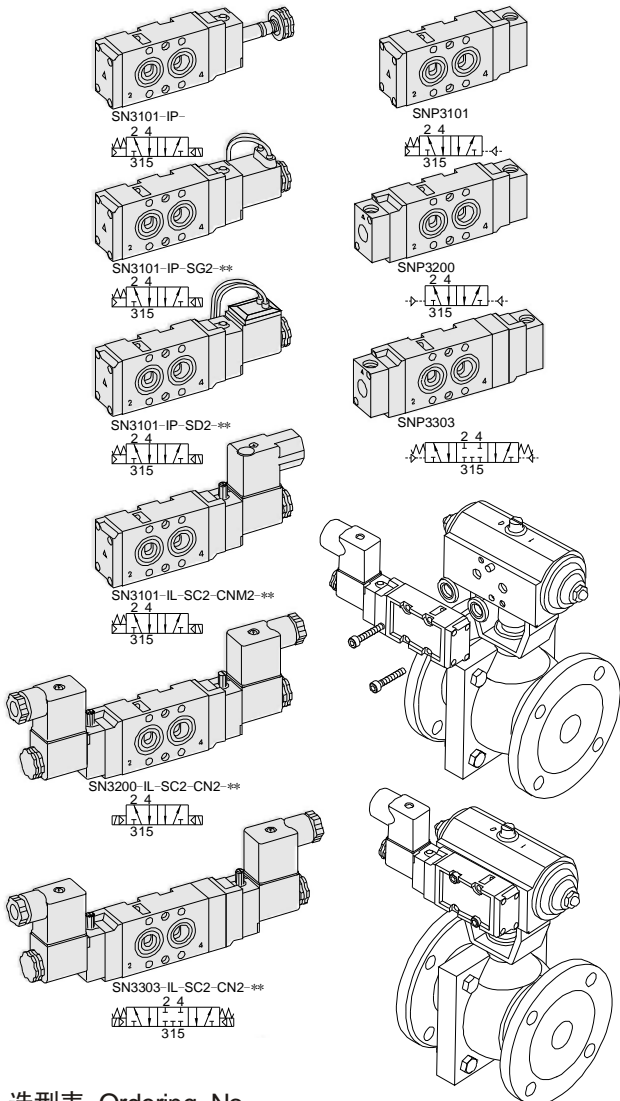
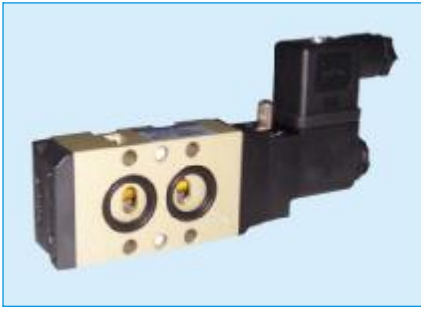
TYPE:4M320-10



SN系列电磁阀

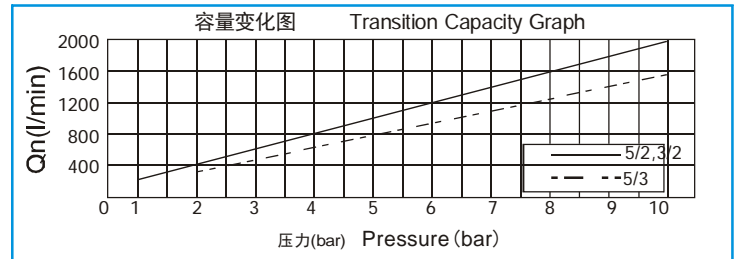


SN series solenoid valve



系列 Series	电磁阀、气动阀 Solenoid、Pneumatic	
	2位5通 5 Port 2 Position	3位5通 5 Port 3 Position
流体 Fluids	压缩气体和惰性气体 Compressed Air and Inert Gass	
压力 (bar) Pressure(bar)	1.5-10.0	2.0-10.0
有效截面积 Eff.Sectional Area	18mm ²	12mm ²
环境与流体温度 Ambient and Fluid Temp.	5-60°C (41-140°F)	
响应时间 Response Time	≤30ms	≤40ms
最大工作频率 Max.Working Frequency	5C/sec	3C/sec
润滑 Lubrication	无要求 (用ISO Vg32#) Not Required(Use ISO VG32#)	
手动装置 Manual Override	手动按钮(标准), 锁定钮(可选) Push Button(Standard), Lever Lock(Optional)	
线圈绝缘等级 Coil Insulation Class	F级或同等等级 F-Class or Equivalent	
允许电压波动范围 Permissible Voltage Variation	额定电压的±10% ±10% of Rated Voltage	
关闭时最小的电压 Off Min. Residual Voltage	AC≤20% DC≤10%	
功率消耗 Power Consumption	持续电流AC:5.5VA(60HZ)/DC:2.5W Holding-AC:5.5VA(60HZ)/DC:2.5W	

阀体: 压铸铝	阀芯: 铝
密封: NBR	弹簧: 钢
盖帽: 压铸铝	先导部件: 玻璃尼龙
电枢: 不锈钢	电枢密封: VITON
Body: Die-Cast Aluminium	Spool: Aluminium
Seals: NBR	Spring: Stainless
Cap: Zinc Pressure Die-Cast	Pilot Parts: Glass Filled Nylon
Armature: Stainless Steel	Armature Seals: Viton



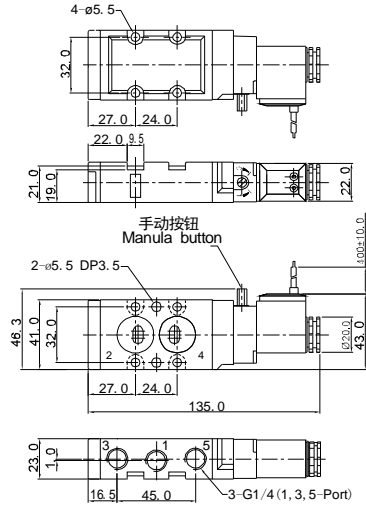
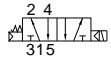
可选部件 Option Parts	
金属连接器 (材质: 压铸铝) Metal Connector (Material: ZnDC)	端口间隔环 (材质: 铝) 3 Port Blanking Ring (Material: al)
CNM2	SN3000-BLK

选型表 Ordering No.

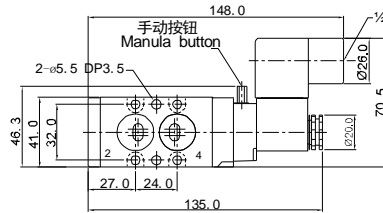
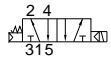
SN3	1	0	1 - I	P	SC2	CN2	-	A2
系列 Series SN3: 电磁阀 Solenoid Valve SNP3: 气动阀 Pneumatic Valve	复位方式 Return Method 0 无 None 1 气体+弹簧 Air+Spring 2 气体 Air 3 弹簧 Spring	线圈类型 Coil Type 0 无 None SC2 3线插座式 3 Pin Connector Coil SG2 直线出线式 Grommet/Flying Leads SD2 带指示灯出线式 Grommet/Flying Leads With LED	内/外先导 Int/Ext.Pilot I 内部先导 Internal Pilot	操作方式 Manual Operator 0 无 None P 推、按、无锁 Push None-Locking L 锁阀杆 Lever Locking	电压 Voltage 0 无 None A2 AC220V A1 AC110V A4 AC24V D4 DC24V D2 DC12V	连接器类型 Connector Type 0 无 None CN2 正常连接器 Normal Connector CD2 带指示灯 Connector With LED CZ2 带指示灯和电流控制器的连接器 Connector With LED&Surge Suppressor CNM2 金属连接器 Metal connector CDM2 带指示灯金属连接器 Metal connector With LED CXM2 带指示灯和电流控制金属连接器 Metal connector With LED&Surge Suppressor	连接规格 Port Size 0:G1/4 1:NPT1/4	

二位五通单电控 5 Port 2 Position Solenoid Valve

SN3101-IL-SD2

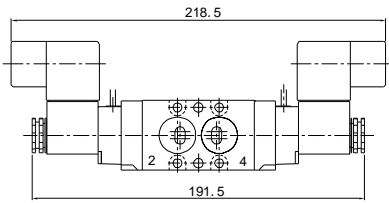
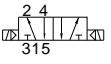


SN3101-IL-SC2-CNM2-**



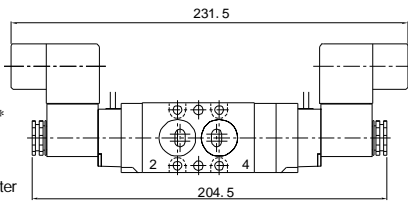
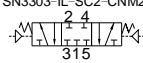
双电控 Double Solenoid

SN3200-IL-SC2-CNM2-**

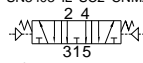


三位五通双电控 5 Port 3 Position Solenoid Valve

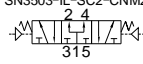
中央封闭 Close Center
SN3303-IL-SC2-CNM2-**



中央排气 Exhaust Center
SN3403-IL-SC2-CNM2-**

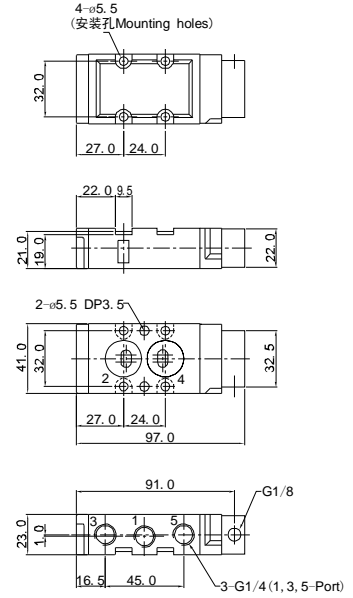
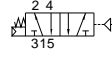


中央加压 Pressure Center
SN3503-IL-SC2-CNM2-**



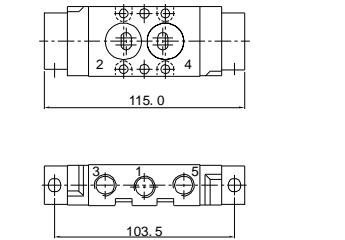
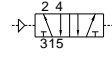
二位五通气控阀 5 Port 2 Position Pneumatic Valve

SNP4101



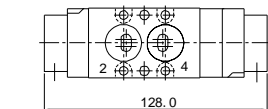
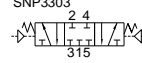
双气控 Double Pneumatic

SNP3200

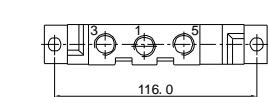


三位五通气控阀 5 Port 3 Position Pneumatic Valve

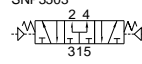
中央封闭 Close Center
SNP3303



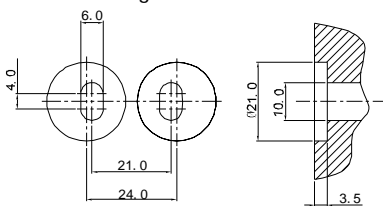
中央排气 Exhaust Center
SNP3403



中央加压 Pressur Center
SNP3503

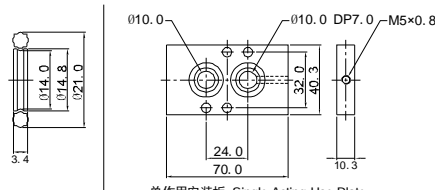


密封部分尺寸 Sealing Part Dimension



密封区 Sealing Area

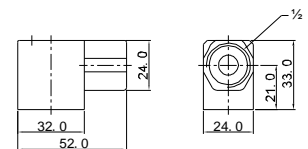
端口间隔环 3 Port Blanking Part(Material:Al)



SN3000-BLK

SN3000-Plate

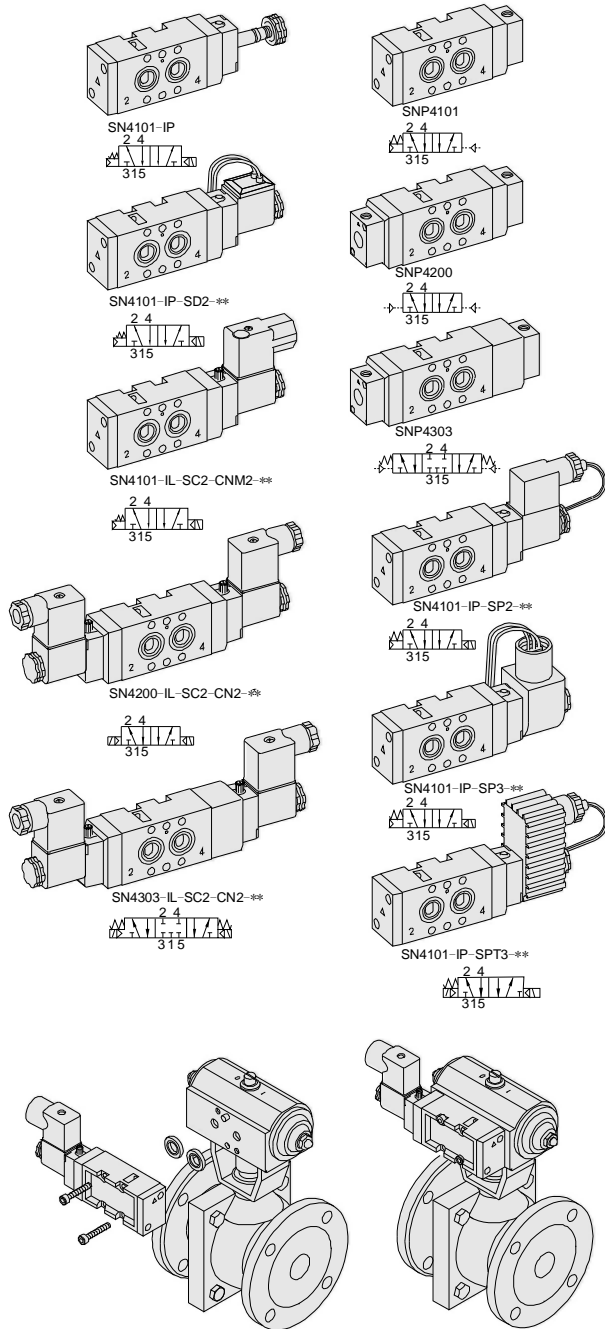
金属连接器 Metal Connector (Material:ZnDc)



CNM2

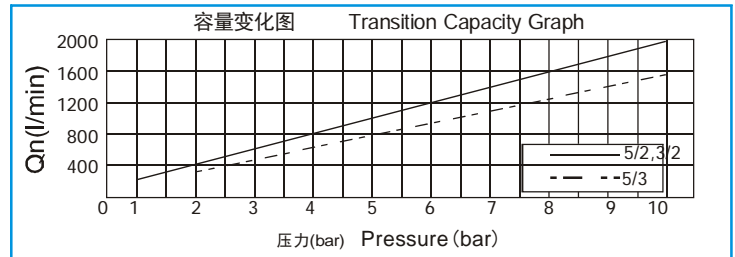
SN系列电磁阀

SN series solenoid valve



系列 Series	电磁阀、气动阀 Solenoid、Pneumatic	
流体 Fluids	2位5通 5 Port 2 Position	3位5通 5 Port 3 Position
功能 Function	压缩气体和惰性气体 Compressed Air and Inert Gass	
压力 (bar) Pressure (bar)	1.5-10.0	2.0-10.0
有效截面积 Eff. Sectional Area	18mm ²	12mm ²
环境与流体温度 Ambient and Fluid Temp.	5-60°C (41-140°F)	
响应时间 Response Time	≤30ms	≤40ms
最大工作频率 Max. Working Frequency	5C/sec	3C/sec
润滑 Lubrication	无要求 (用ISO Vg32#) Not Required (Use ISO VG32#)	
手动装置 Manual Override	手动按钮 (标准), 锁定钮 (可选) Push Button (Standard), Lever Lock (Option)	
线圈绝缘等级 Coil Insulation Class	F级或同等等级 F-Class or Equivalent	
允许电压波动范围 Permissible Voltage Variation	额定电压的±10% ±10% of Rated Voltage	
关闭时最小的电压 Off Min. Residual Voltage	AC≤20% DC≤10%	
功率消耗 Power Consumption	持续电流 AC:5.5VA(60HZ)/DC:2.5W Holding-AC:5.5VA(60HZ)/DC:2.5W	

阀体: 压铸铝
 密封: NBR
 盖帽: 压铸锌
 电柜: 不锈钢
 Body: Die-Cast Aluminium
 Seals: NBR
 Cap: Zinc Pressure Die-Cast
 Armature: Stainless Steel
 阀芯: 铝
 弹簧: 钢
 先导部件: 玻璃尼龙
 电枢密封: VITON
 Spool: Aluminium
 Spring: Stainless
 Pilot Parts: Glass Filled Nylon
 Armature Seals: Viton



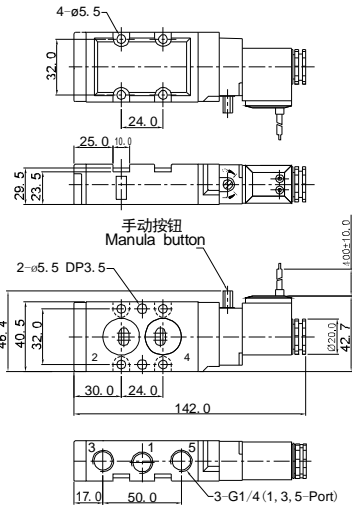
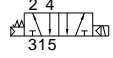
选型表 Ordering No.

SN4 1 0 1 - I P - SC2 - CM2 - A2

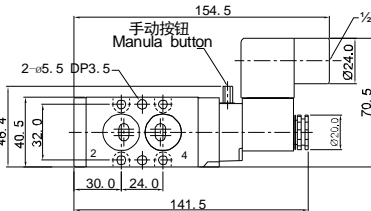
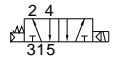
系列 Series SN4: 电磁阀 Solenoid Valve SNP4: 气动阀 Pneumatic Valve	复位方式 Return Method 0 无 None 1 气体+弹簧 Air+Spring 2 气体 Air 3 弹簧 Spring	线圈类型 Coil Type 0 无 None SC2 3线插座式 3 Pin Connector Coil SG2 直线出线式 Grommet/Flying Leads SD2 带指示灯出线式 Grommet/Flying Leads With LED	电压 Voltage 0 无 None A1 AC110V D4 DC24V A2 AC220V A4 AC24V D2 DC12V
功能 Function 1 5/2单电控 5/2 Single 2 5/2双电控 5/2 Double 3 5/3中位封闭式 5/3 Close Center 4 5/3中位排气式 5/3 Open center 5 5/3中位加压式 5/3 Pressure Center	内/外先导 Int/Ext.Pilot I 内部先导 Internal Pilot	操作方式 Manual Operator 0 无 None P 推、按、无锁 Push None-Locking L 锁阀杆 Lever Locking	连接器类型 Connector Type 0 无 None CN2 正常连接器 Normal Connector CD2 带指示灯连接器 Connector With LED CZ2 带指示灯和电流控制器的连接器 Connector With LED&Surge Suppressor CNM2 金属连接器 Metal connector CDM2 带指示灯金属连接器 Metal connector With LED CXM2 带指示灯和电流控制金属连接器 Metal connector With LED&Surge Suppressor
	连接规格 Port Size 0:G1/4 1:NPT1/4		

二位五通单电控 5 Port 2 Position Solenoid Valve

SN4101-IL-SD2-

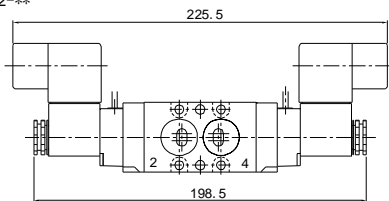
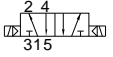


SN4101-IL-SC2-CNM2-**



双电控 Double Solenoid

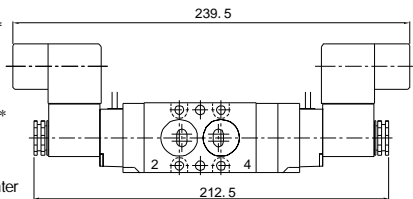
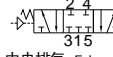
SN4200-IL-SC2-CNM2-**



三位五通双电控 5 Port 3 Position Solenoid Valve

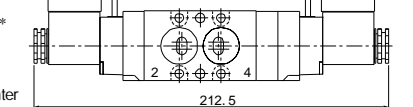
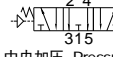
中央封闭 Close Center

SN4303-IL-SC2-CNM2-**



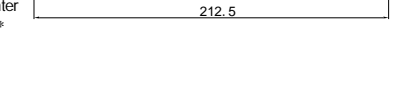
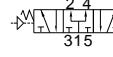
中央排气 Exhaust Center

SN4403-IL-SC2-CNM2-**



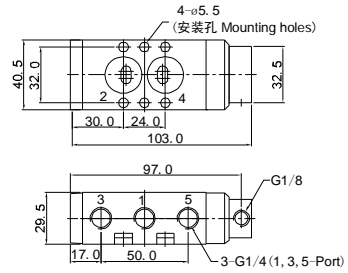
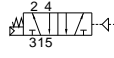
中央加压 Pressure Center

SN4503-IL-SC2-CNM2-**

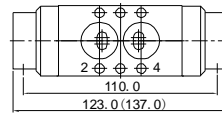
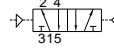


二位五通气控阀 5 Port 2 Position Pneumatic Valve

SNP4101

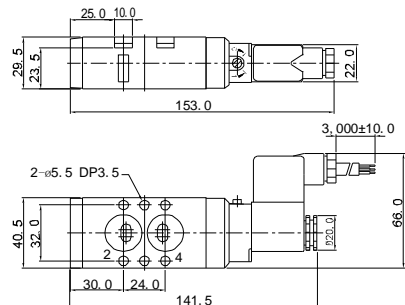
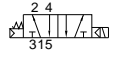


双气控 Double Pneumatic
SNP4200

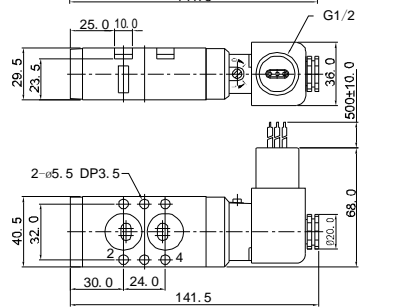
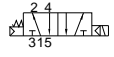


单电控 Single Solenoid

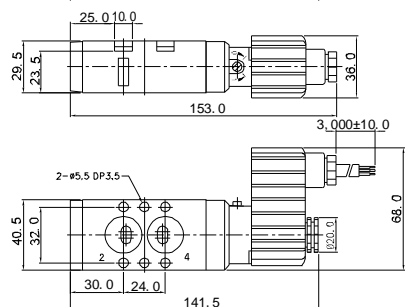
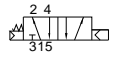
SN4101-IP-SP2-**



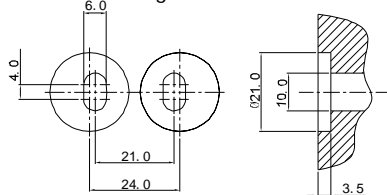
SN4101-IP-SP3-**



SN4101-IP-SPT3-**

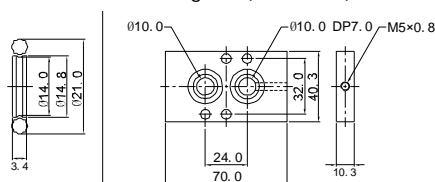


密封部分尺寸 Sealing Part Dimension



密封区 Sealing Area

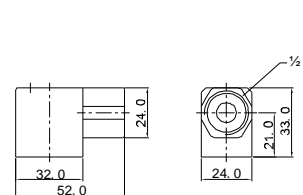
端口间隔环 3 Port Blanking Part(Material:Al)



SN3000-BLK

单作用安装板 Single Acting Use Plate
SN3000-Plate

金属连接器 Metal Connector (Material:ZnDc)



CNM2

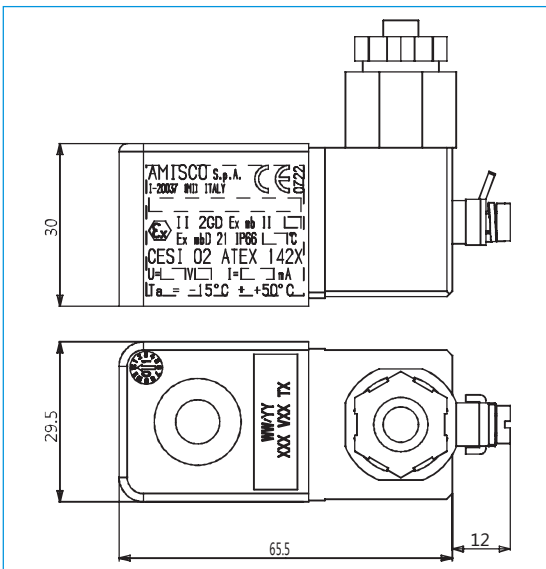


3009M Ex m

94/9/CE ATEX

该线圈可以在有潜在爆炸性可能的环境（II级）中使用，主要应用于气动方面的特殊线圈使EVI7 S9电磁阀线圈系统更加完善、它完全满足EN60079-0、EN60079-18、EN61241-0、EN61241-18的要求，属于“浇封型”保护模式。

AMISCO has completed the EVI7 S9 solenoid system with a special coil for pneumatic applications in potentially explosive ambient (group II), that fullfills the requirements of EN 60079-0, EN 60079-18, EN 61241-0, EN 61241-18,for protection mode "m"



EVI 30/9 Eexm线圈提供1.2米的连接线，根据需要可以提供其它长度的连接线（从1.5米到10米）线圈有CESI颁发的T4温度（线圈表面温度最大135°C）和T5温度级（线圈表面温度最大100°C）证明书；防爆认证为最新的ATEX 142X认证，可以确保在安全的温度下熔断器起到保护作用，使线圈的电路断开。

The type **3009M Ex m** coil is supplied with 1.2m cable connection, other lengths (from 1.5m to 10m) are available on request.

The coil is certified by CESI in thermal class T5 (with coil surface temperature max 100°C) or T4 (with coil surface temperature max 135°C).

Ec-Type Examination Certificate number: CESI 02 ATEX 142 X and extension N° 02/07. Notification number: CESI 03 ATEX 075 Q.

The protection is assured by a thermal fuse that, in case of damage, disconnects the coil from power

The product Is developed to be used in ambients with temperature range from -15°C to +50°C, and it has a power consumption of 3.8W for type T4 and 3W for type T5.

The coil Fits all Amisco standard operators 3/2 or 2/2 way NC or NO, threaded or flange types.

All main voltages Are available.

For other technical specifications See below and backwards.

产品被应用于-15°C到+50°C的环境温度，并且它有一个T4型3.8W和一个T5型3W的电能消耗线圈符合所有Amisco的两位三通，两位三通；常开或常闭型螺纹与法兰连接形式先导头标准防爆证书或其它特殊要求请向Amisco咨询其它的技术参数请参阅以下：

DC solenoids

Coil Code	Vn [V]	f [Hz]	I [A]	P [W]	Temperature Class
3009MD006W3	6	-	0.510	3	T5
3009MD012W3	12	-	0.250	3	T5
3009MD024W3	24	-	0.125	3	T5
3009MD048W3	48	-	0.063	3	T5
3009MD006W4	6	-	0.640	3.8	T4
3009MD012W4	12	-	0.320	3.8	T4
3009MD024W4	24	-	0.160	3.8	T4
3009MD048W4	48	-	0.080	3.8	T4

AC solenoids

Coil Code	Vn [V]	f [Hz]	I [A]	P [VA]	Temperature Class
3009MA012W2	12	50/60	0.2700	3.2	T5
3009MA024W2	24	50/60	0.1330	3.2	T5
3009MA048W2	48	50/60	0.0670	3.2	T5
3009MA100W2	100	50/60	0.0320	3.2	T5
3009MA110W2	110	50/60	0.0290	3.2	T5
3009MA115W2	115	50/60	0.0280	3.2	T5
3009MA120W2	120	50/60	0.0270	3.2	T5
3009MA220W2	220	50/60	0.0146	3.2	T5
3009MA230W2	230	50/60	0.0140	3.2	T5
3009MA240W2	240	50/60	0.0134	3.2	T5

AMISCO防爆线圈

AMISCO Explosion-proof coil





SOLENOID SYSTEMS Ex m

for 2/2 and 3/2 way normally closed and normally open valves



2/2, 3/2常开或常闭型阀

Characteristics (特点)

		DC			AC 50 Hz	AC 60 Hz
 3009 M...W.	Rated power DC (标称功率 直流) W	3				
	Inrush power AC (标称功率 交流) VA				4.8	4
	Rated power AC (标称功率 交流) VA				3.2	2.7
	Coil temperature rise (线圈升温) °C	35			15	10
	Copper temperature rise (铜线升温) °C	40			30	25
 3009M...W.	Rated power DC (标称功率 直流) W		3.8			
	Inrush power AC (标称功率 交流) VA					
	Rated power AC (标称功率 交流) VA					
	Coil temperature rise (线圈升温) °C		50			
	Copper temperature rise (铜线升温) °C		55			
3/2 way NC	Inlet orifice Ø (入口通径) mm	1.3	1.5	1.5	1.5	1.5
	Exhaust orifice Ø (排气口通径) mm	1.4	1.4	1.4	1.4	1.4
	Working pressure (工作压力) bar	0-10	0-10	0-10	0-10	0-10
2/2 way NC	Inlet orifice Ø (入口通径) mm	1.3	1.5	1.5	1.5	1.5
	Working pressure (工作压力) bar	0-10	0-10	0-10	0-10	0-10
3/2 way NO	Inlet orifice Ø (入口通径) mm	1.4	1.4	1.4	1.4	1.4
	Working pressure (工作压力) bar	0-7	0-10	0-10	0-10	0-10

Notes(注意) :

Temperature range(环境温度) : -15°C ~ +50°C

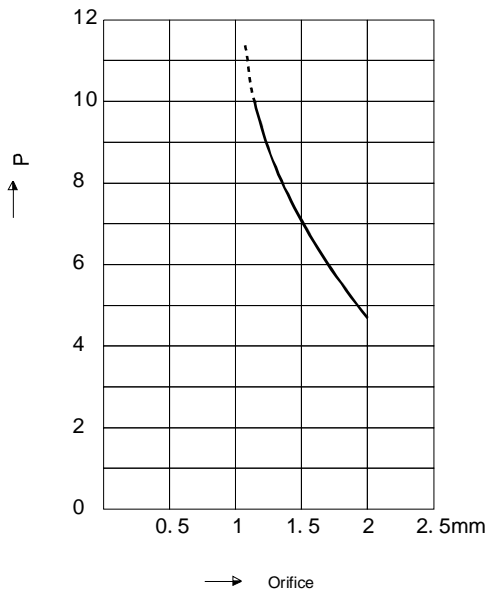
Standard voltages(标称电压) : 12 to 240 VAC - 50/60 Hz 6 to 48 VDC

Duty cycle(工作时间) :100%

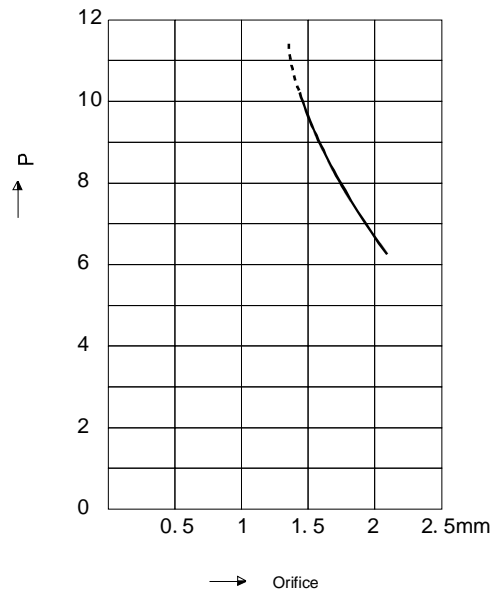
Voltage tolerance(电压范围) : ±10%

PERFORMANCES(性能)

3 W Coil-DC
bar



3,2 VA Coil-AC
3,8 W Coil-DC
bar



About -mentioned characteristics have to be intended only as indicative.They may change according to the tube design solutions.
(以上线圈特点, 仅供参考, 具体要根据导磁管的设计。)



3009M Ex dm

94/9/CE ATEX

该线圈可以在有潜在爆炸性可能的环境（II级）中使用，主要应用于气动方面的特殊线圈使EVI7 S9电磁阀线圈系统更加完善、它完全满足EN60079-0、EN60079-1、EN60079-18、EN60079-31的要求。

Amisco has completed the EVI7 S9 Solenoid System with a special coil for pneumatic applications in potentially explosive ambient (group II), that fulfills the requirements of EN60079-0, EN60079-1, EN60079-18 and EN60079-31.



The coil is certified by TÜV in thermal class T5 (with coil surface temperature max 100°C) or T4 (with coil surface temperature max 135°C). Ec-Type Examination Certificate number: TÜV 13 ATEX XXX.

The protection is assured by a thermal fuse that, in case of damage, disconnects the coil from power.

The product is developed to be used in ambients with temperature range from -15°C to +50°C, and it has a power consumption of 3.8W for type T4 and 3W for type T5.

The coil fits all Amisco standard operators 3/2 or 2/2 way NC or NO, threaded or flange types.

All main voltages are available.

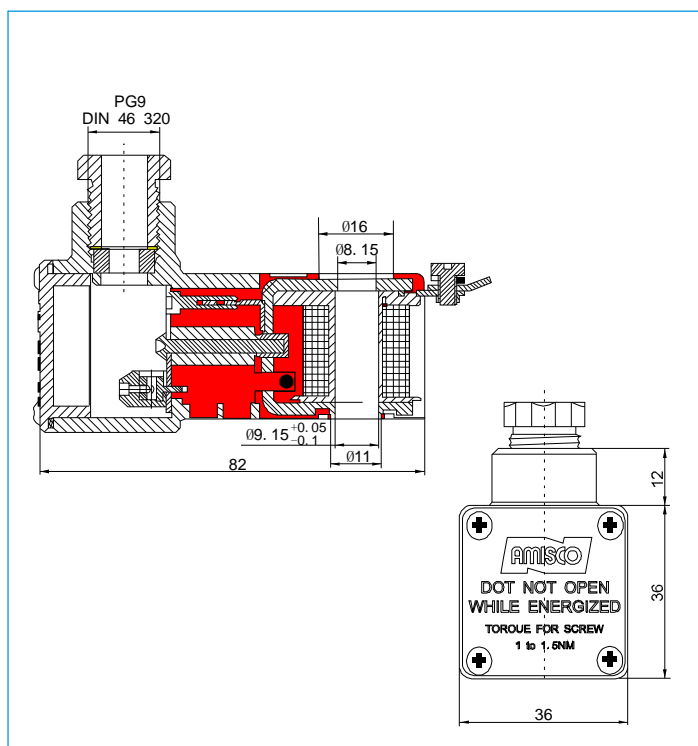
For other technical specifications see below and next page. Please contact Amisco S.p.A for use with other media.

All given information are subjected to changes without notice.

线圈有TÜV T5温度级(线圈表面温度最大100°C)和T4温度级(线圈表面温度最大135°C)证明书。证书编号：TÜV 13 ATEX XXX。可以确保在安全的温度下熔断器起到保护作用，使线圈的电路断开。

产品被应用于-15°C到+50°C的环境温度，并且它有一个T4型3.8W和一个T5型3W的电能消耗线圈符合所有Amisco的两位两通，两位三通、螺纹与法兰连接类型的。其他技术规范见下页。

使用说明请联系Amisco及其它媒介。所有给定的信息接受更改，恕不另行通知。



	防爆公用标志 Specific marking of explosion protection.
II	II区：具有潜在爆炸性气体环境的电气设备，除了对火花敏感的矿井。 Group II – Electrical apparatus for places with a potentially explosive atmosphere, other than mines susceptible to fire dump.
2	类别2-请参阅下面。 Category 2 – see the board below.
G	爆炸性气体环境。 Explosive gas atmospheres.
D	可燃性粉尘爆炸环境 Explosive atmosphere in the presence of combustible dust.
Ex	Ex符号表明电气设备符合EN 60079-0 防护等级。 The symbol Ex which indicates that the electrical apparatus corresponds to one of the protection type (EN 60079-0).
d	气体防护型式-外壳“d” Type of protection for gas – enclosure “d”.
Mb	气体防护型式-浇封“m”，“mb”保护级别 Type of protection for gas – encapsulation “m”, level “mb”.
Tb	爆炸性粉尘防护型式-防护外壳 Type of protection for explosive dust atmospheres – protection by enclosure.
IIc	电气设备II区是依据爆炸性气体的性质细分-IIc，典型的气体是氢气。 Electrical equipment of Group II is subdivided according to the nature of the explosive gas atmospheres – IIc, a typical gas is hydrogen.
IIIC	电气设备III区是依据爆炸性粉尘环境的性质细分-IIIC，导电性粉尘。 Electrical equipment of Group III is subdivided according to the nature of the explosive dust atmospheres – IIIC, conductive dust.
T5 or T4	温度等级T5或T4 Temperature Class. T5 or T4.
Gb	爆炸性气体环境设备防护级别 (EPL) Equipment protection level [EPL] for explosive gas atmospheres.
Db	爆炸性粉尘环境设备防护级别 (EPL) Equipment protection level [EPL] for explosive dust atmospheres.
IP66	外壳的防尘、防水的防护等级 The degrees of protection provided by an enclosure against ingress of solid foreign objects, dust (first number) and water (second number).

类别 Category	类型 Description
2G	此类别中的设备用于在空气/气体混合物可能引起爆炸性环境发生的区域中。 Equipment in this category is intended for use in areas in which explosive atmospheres caused by air/gas mixtures are likely to occur.
2D	此类别中的设备用于在空气/灰尘混合物可能引起的爆炸性环境发生的区域中。 Equipment in this category is intended for use in areas in which explosive atmospheres caused by air/dust mixtures are likely to occur.

for 2/2 and 3/2 way normally closed and normally open valves

2/2, 3/2常开或常闭型阀

Coil 3009 DM	Code	Characteristics (特点)	DC		AC 50 Hz
II2G Ex dmb IIC T5 GB II2D Ex tb IIIC T5 Db	30 XDM...	Rated power DC (标称功率 直流) W	3		
		Inrush power AC (标称功率 交流) VA			4.8
		Rated power AC (标称功率 交流) VA			3.2
		Coil temperature rise (线圈升温) °C	35		15
		Copper temperature rise (铜线升温) °C	40		30
II2G Ex dmb IIC T4 GB II2D Ex tb IIIC T4Db	30 XDM...	Rated power DC (标称功率 直流) W		3.8	
		Inrush power AC (标称功率 交流) VA			
		Rated power AC (标称功率 交流) VA			
		Coil temperature rise (线圈升温) °C		50	
		Copper temperature rise (铜线升温) °C		55	
3/2 way NC	09 L...	Inlet orifice Ø (入口通径) mm	1.3	1.5	1.5
	09 F...	Exhaust orifice Ø (排气口通径) mm	1.4	1.4	1.4
		Working pressure (工作压力) bar	0-10	0-10	0-10
2/2 way NC	09 L...	Inlet orifice Ø (入口通径) mm	1.3	1.5	1.5
	09 F...	Working pressure (工作压力) bar	0-10	0-10	0-10
3/2 way NO	09 L...	Inlet orifice Ø (入口通径) mm	1.4	1.4	1.4
	09 F...	Working pressure (工作压力) bar	0-7	0-10	0-10

Notes(注意) :

Temperature range(环境温度) : -15°C~ +50°C

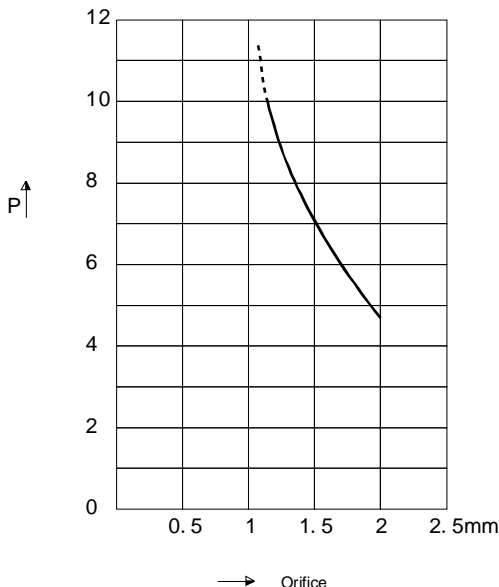
Standard voltages(标称电压) : 12 to 240 VAC - 50/60 Hz 6 to 48 VDC

Duty cycle(工作时间) :100%

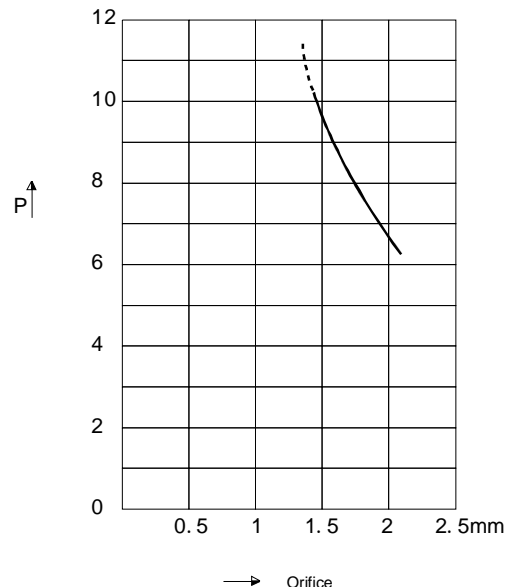
Voltage tolerance(电压范围) : ±10%

PERFORMANCES(性能)

3 W Coil-DC
bar



3,2 VA Coil-AC
3,8 W Coil-DC
bar



About -mentioned characteristics have to be intended only as indicative.They may change according to the tube design solutions.
(以上线圈特点, 仅供参考, 具体要根据导磁管的设计。)



Avvolgimenti elettrici

EVI线圈 S9先导阀



The coil is available in different sizes and with different electrical terminations. Types, power and other characteristics are described in the following pages. All coils feature:

- heat resistant bobbin moulded with 30% glass filled thermoplastic polyester material
- class H wire 200°C according to IEC 60317-13
- built-in magnetic yoke made by low carbon iron
- encapsulation with high quality specially designed glass filled nylon (thermoset material on demand for 22 mm coil).


The use of other materials is possible upon special agreements.

All coils are rated to class F and to IP 65 (with connector).

The coil is designed and constructed in accordance to EN 60204.1 and VDE 0580 and it is suitable for industrial ambient conditions.

For use in special ambients with high humidity, we suggest the sealed or thermoset version; at any case, please, take contact with Amisco.

- 高耐热PBT骨架
- H级漆包线
- 低碳钢导磁金属骨架
- 特殊尼龙及填充玻璃纤维封装
- 所有线圈符合F级耐热及IP65保护等级（带接线盒）
- 线圈符合CE标准
- 可提供引线，DIN43650, AMP三种电气接头。

Electrical terminations 电气端子	Code 型号	Characteristics (参数)							
		DC		AC 50Hz		AC 60Hz			
 Terminals AMP 6.3x0.8 width 11 mm (端子 AMP 6.3x0.8) Terminals DIN 43650 B (端子 DIN 43650 B) Flying leads (引线)	0709S...	Rated power DC (标称功率 直流)	W	3	6.5				
		Inrush power AC (标称功率 交流)	VA			7.5	12.5	6.5	10.5
	0709D...	Rated power AC (标称功率 交流)	VA			5	8.5	4.2	7
		Coil temperature rise (线圈升温)	°C	35	70	45	85	35	70
	0709C...	Copper temperature rise (铜线升温)	°C	40	80	55	90	45	80

Notes (注意) :

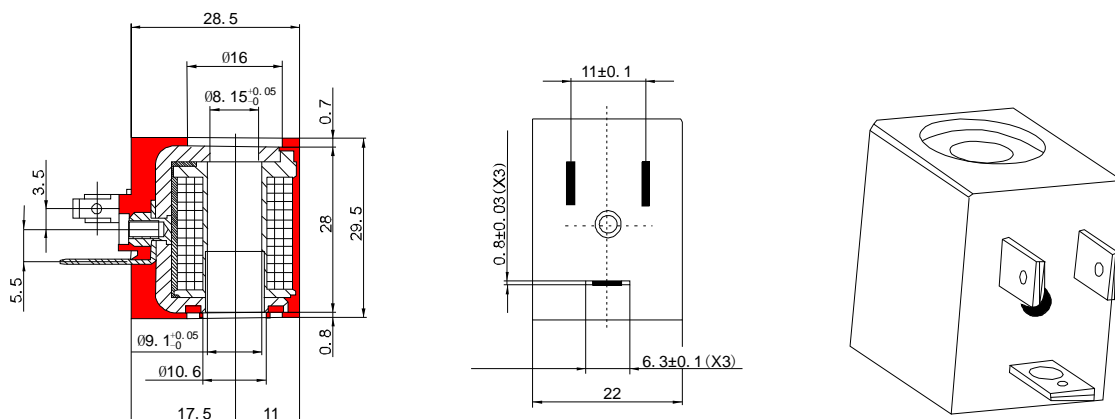
Temperature range (环境温度) : -15°C ÷ +50°C

Standard voltages (标称电压) : 12 to 240 VAC - 50/60 Hz 6 to 48 VDC

Duty cycle (工作时间) : 100%

Voltage tolerance (电压范围) : ±10%

For different orifice sizes and pressures contact AMISCO

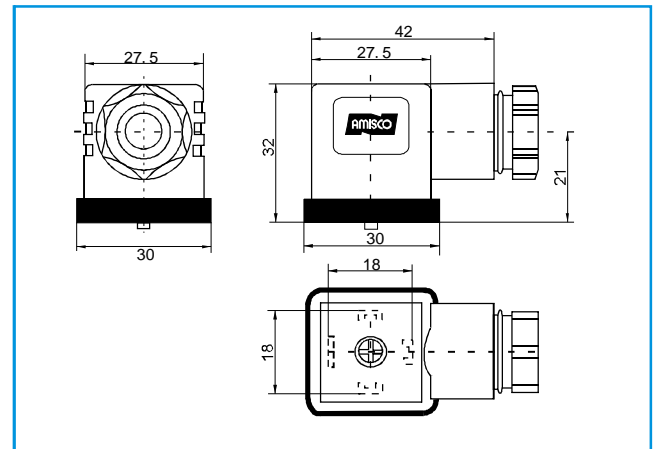


Connector System

接线盒系列



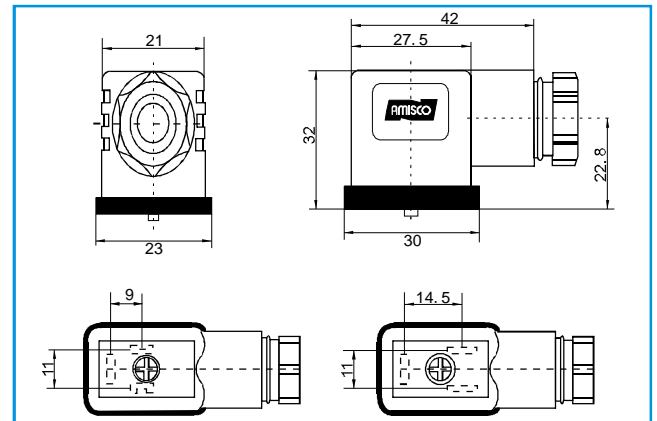
DIN43650A
For 30mm coil types
(EVI30, EVI5, EVI3)
Protection Class: IP65. IEC60529



DIN43650 A型接线盒
用于30mm线圈
(EVI30, EVI5, EVI3)
保护等级: IP65. IEC60529



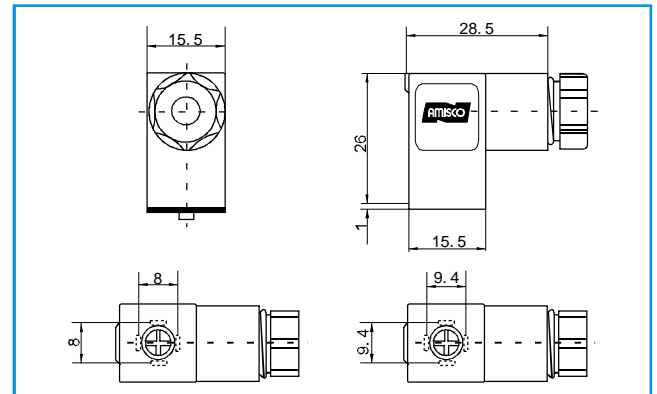
DIN43650B/INDUSTRIAL
For 22mm coil types
(EVI7/9, EVI7/8, EVI710)
Protection Class: IP65. IEC60529



DIN43650 B型接线盒
用于22mm线圈
(EVI7/9, EVI7/8, EVI710)
保护等级: IP65. IEC60529



DIN43650B/INDUSTRIAL
For 15mm and 17mm coil types
(EVI9, 15mm pilot valve)
Protection Class: IP65. IEC60529



DIN43650 C型接线盒
用于15mm和17mm线圈
(EVI9, 15mm先导阀)
保护等级: IP65. IEC60529

电磁阀及线圈价格表

price list solenoid valve and coil



4M系列电磁阀
4M series solenoid valve



型号	4M310-08B-220VAC	4M310-08B-24VDC	4M310-08-220VAC	4M310-08-24VDC	4M310-08B-A2-EX	4M310-08B-D4-EX	4M310-08-A2-EX	4M310-08-D4-EX
¥	150	150	150	150	450	450	450	450

SN系列电磁阀
SN series solenoid valve



型号	SN3101-IP-220VAC	SN3101-IP-24VDC	SN4101-IP-220VAC	SN4101-IP-24VDC	SN3101-IP-A2-EX	SN3101-IP-D4-EX	SN4101-IP-A2-EX	SN4101-IP-D4-EX
¥	300	300	320	320	600	600	620	620

AMISCO线圈
AMISCO coil



型号	3009MA110W203-110VAC	3009MA220W203-220VAC	3009MD024W303-24VDC	EVI-7/9-110VAC	EVI-7/9-220VAC	EVI-7/9-24VDC
¥	350	350	350	50	50	50